

United Compact Snow

Item Code : UFXSNOW-1

The United Compact Snow is a compact and powerful snow machine that works by air compression without a pump. Low noise and very reliable, it is designed for very easy use. It can be used both posed or suspended and adapts itself as well in animation, concert, theater as TV set. This machine is delivered with its support and its 5L can and remote quick connections.

NOMENCLATURE :

- 1 x United Compact Snow
- 1 x Drum container support 5 L
- 1 x Power supply IEC 1.5m



TECHNICAL SPECIFICATIONS :

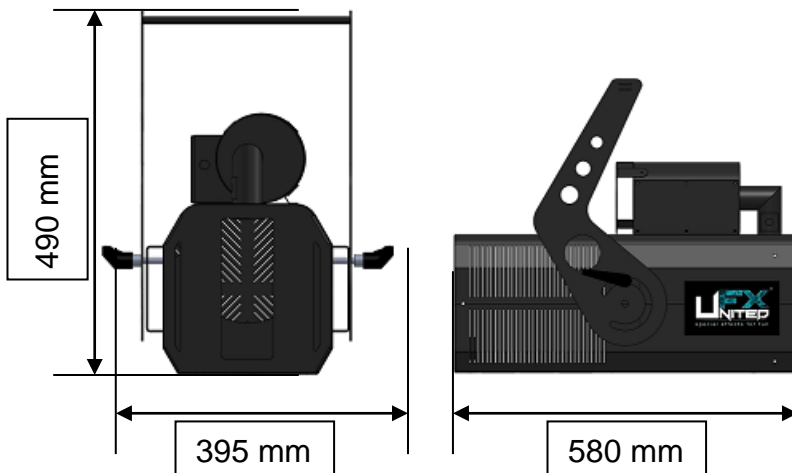
Size : Lg 58 x lg 39.5 x Ht 49 cm
Weight : 14 Kg

Electrical Specifications :

230V – 50/60Hz – 1000W – 4.3A – IP 44 (Version Europe)
115V – 60Hz – 1000W – 4.3A – IP 44 (Version US)

FEATURES :

IEC power supply
Compressed air system, without pump, ultra reliable.
Possibility of regulating the effect by varying fluid and air flow rates.
EU consumption ST-Snow Fluid RTU (ready-to-use snow liquid): 8-12 L / h.



CONSUMABLES :

ST-Snow Fluid RTU
ST-Snow Fluid CC

OPTIONAL ACCESSORIES :

- United Ground Foot FX
- UE Box Switch or Dimmer
- UE Auto Tank Filler

Made of STEEL, the United Compact Foam is built to last. Each element has been chosen for its quality and efficiency.

United FX, La Marque Simple et Extraordinaire Fabriqué en France