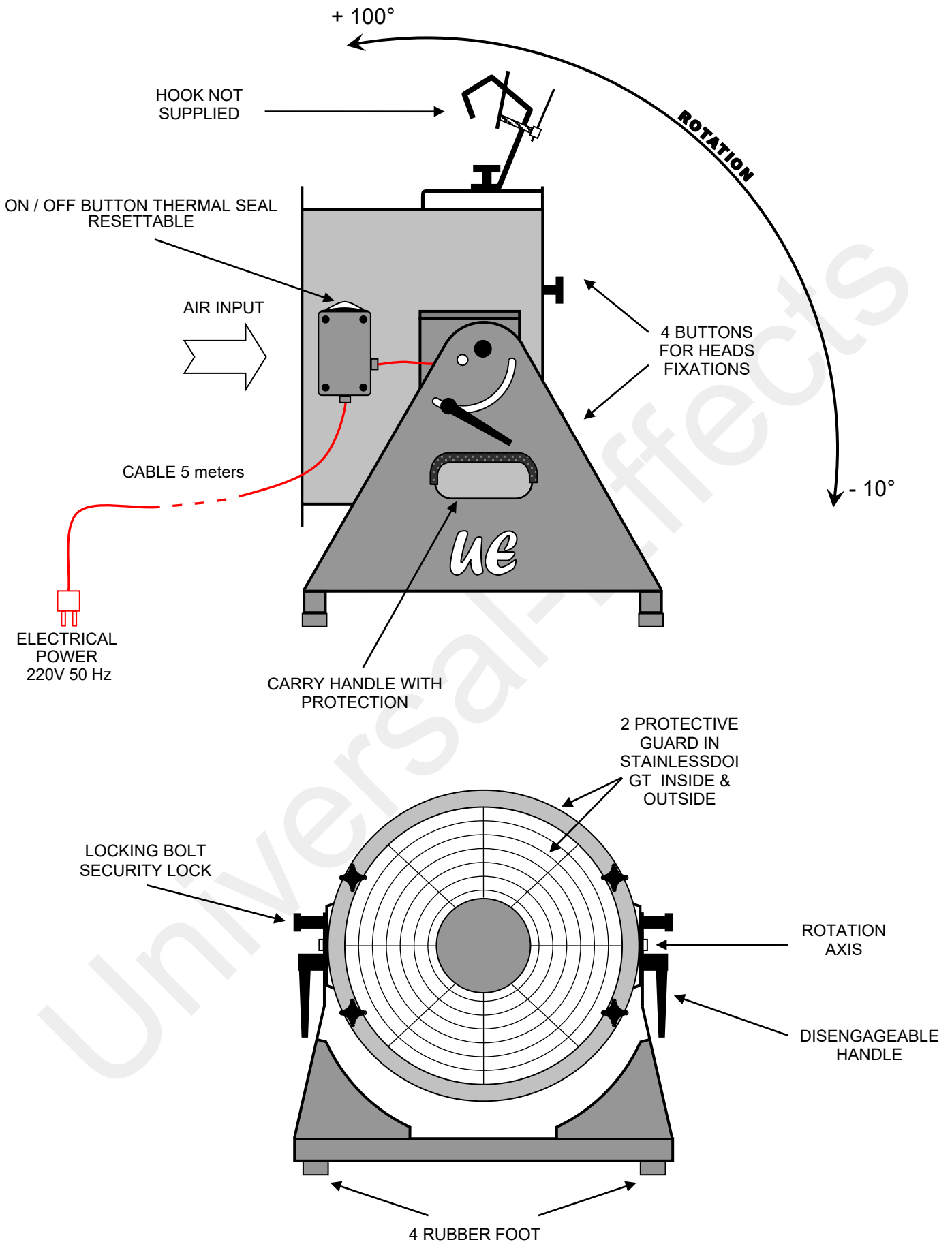
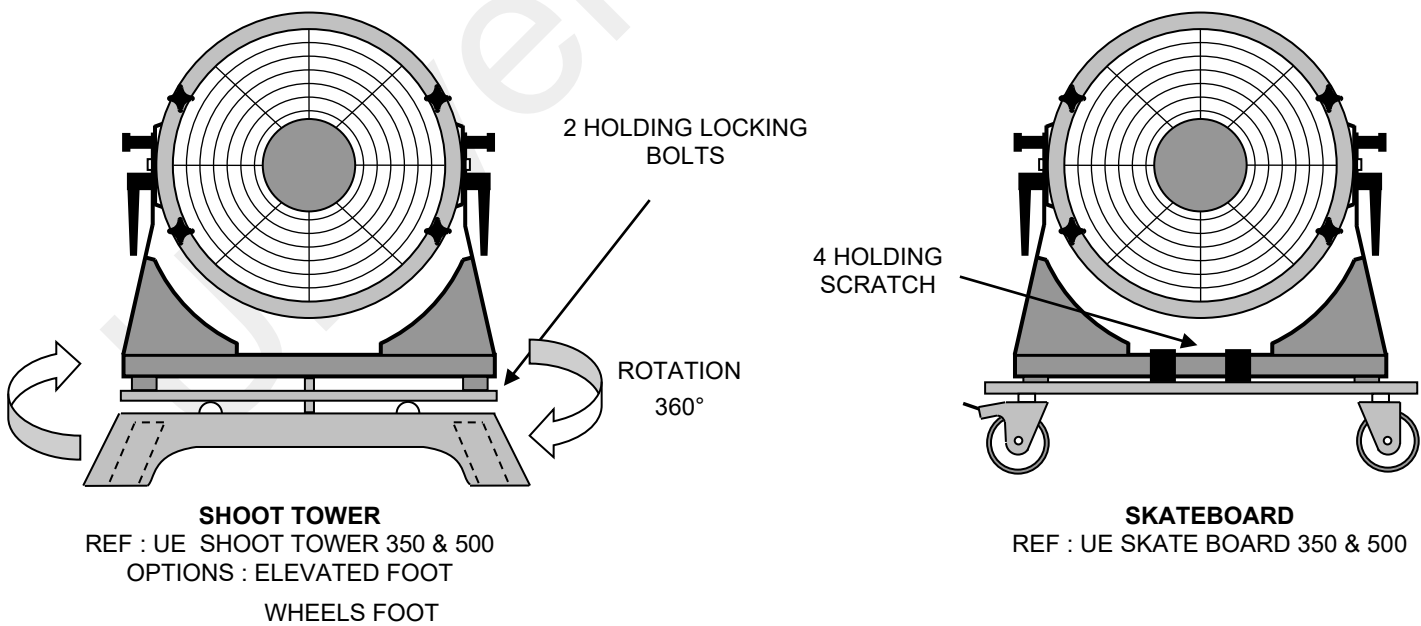
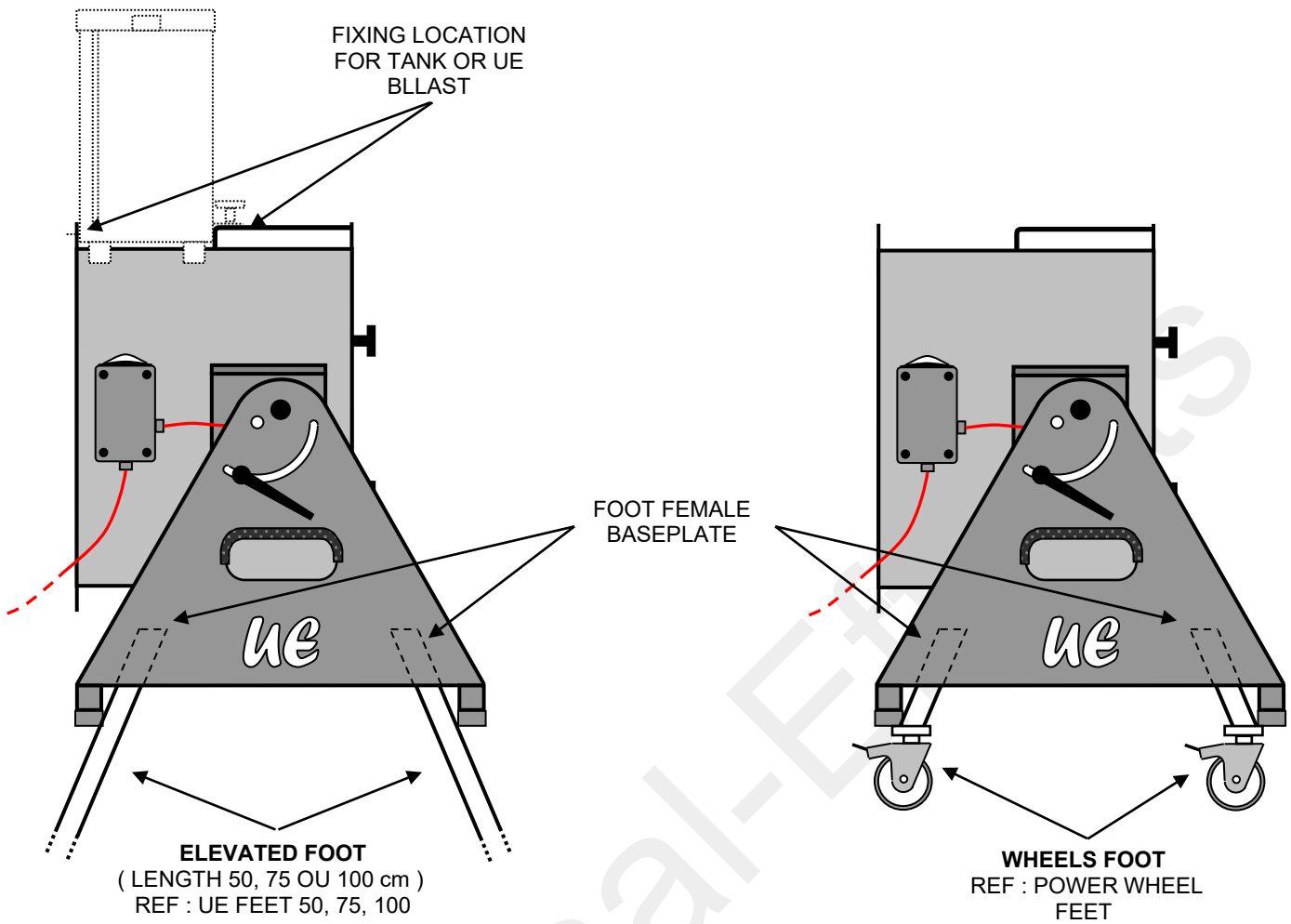


# TECHNICAL DIAGRAM – UE ST- BASE 350 & 500



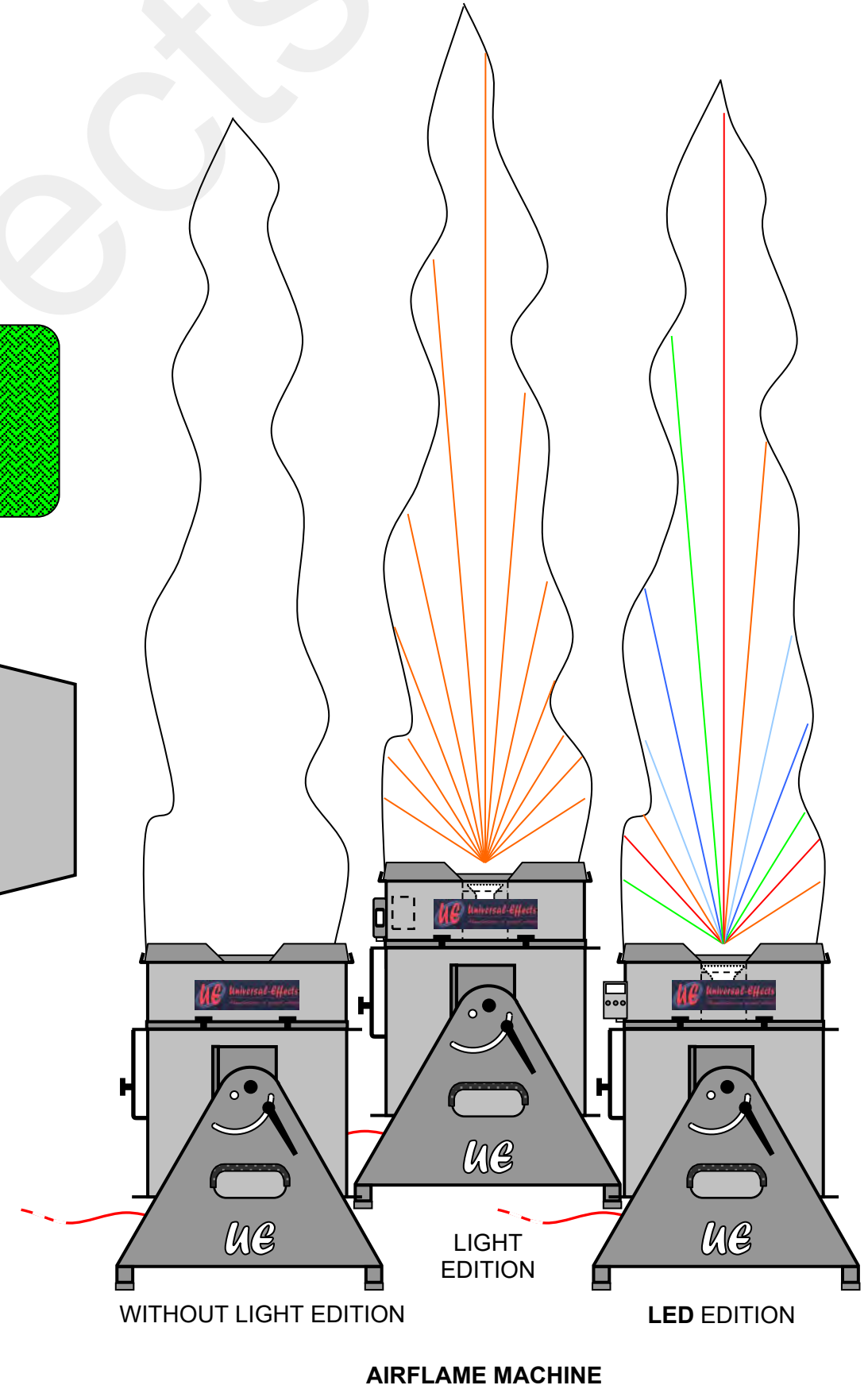
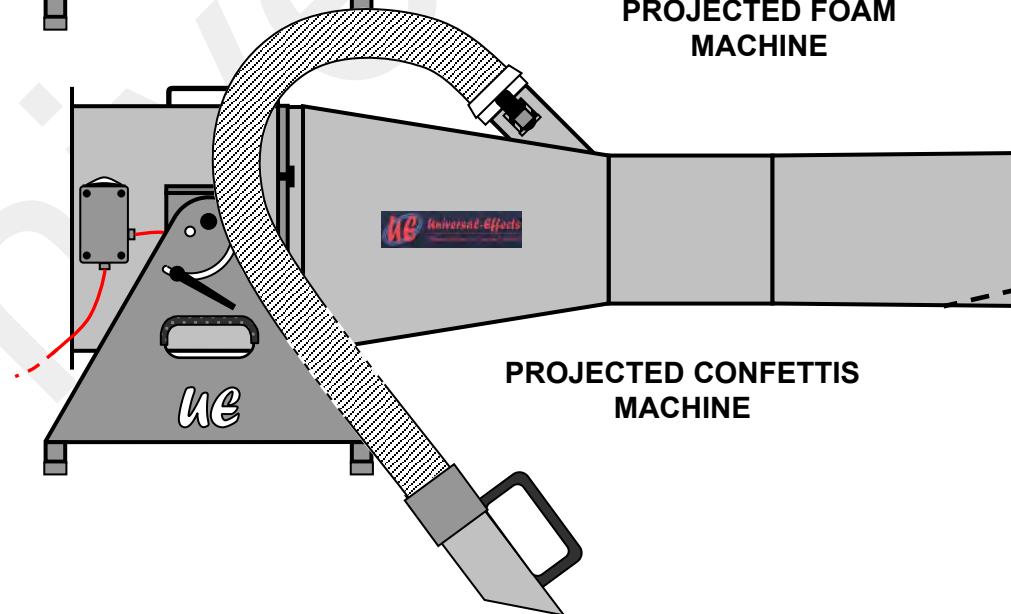
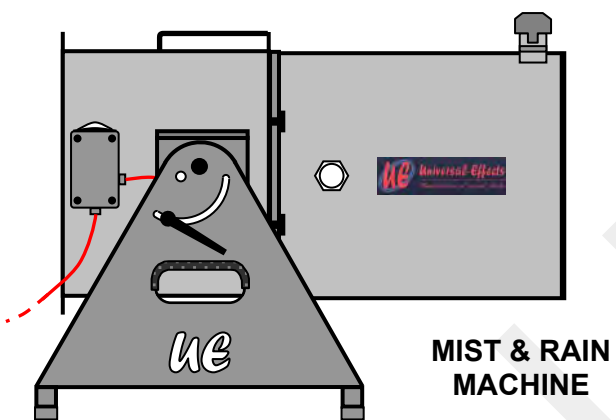
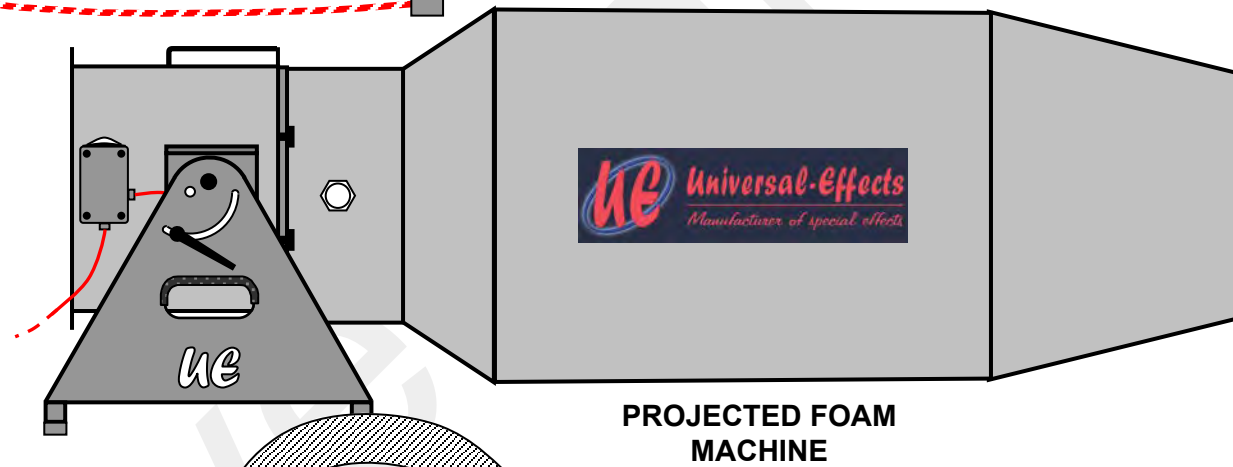
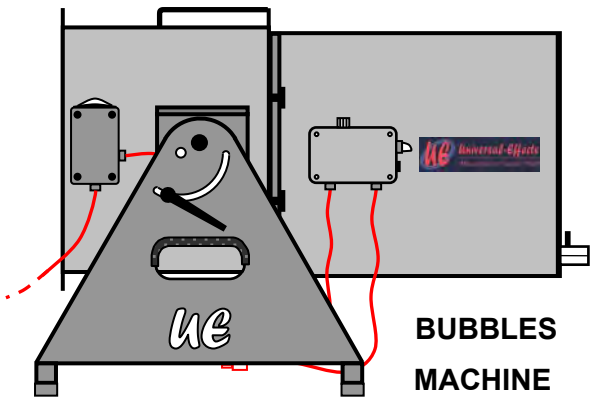
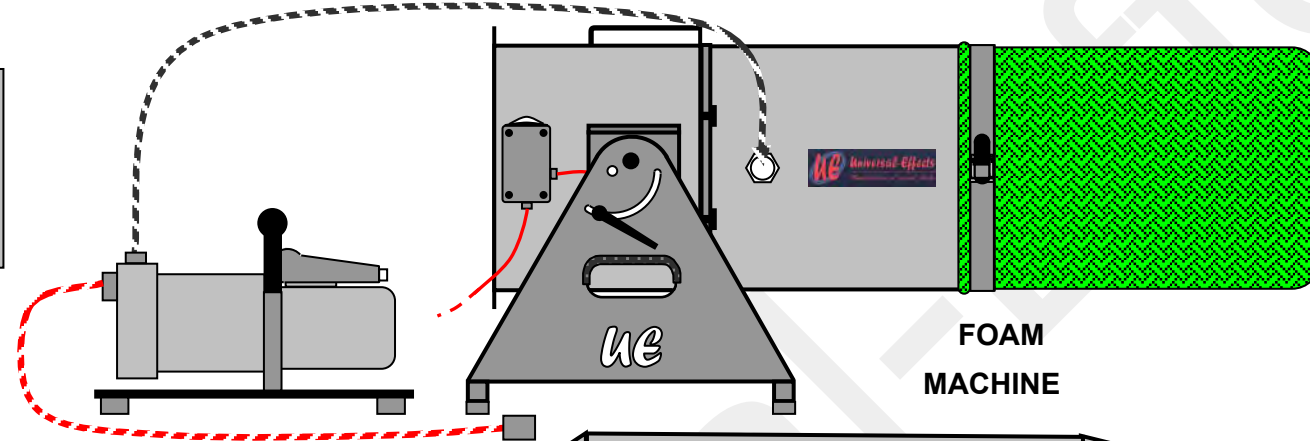
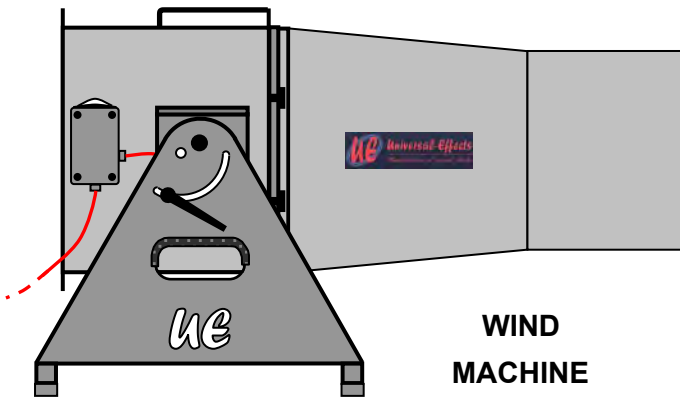
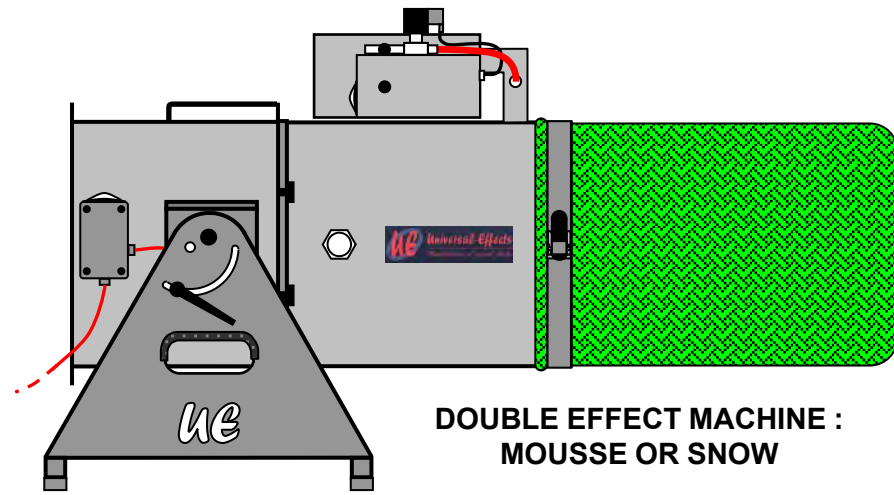
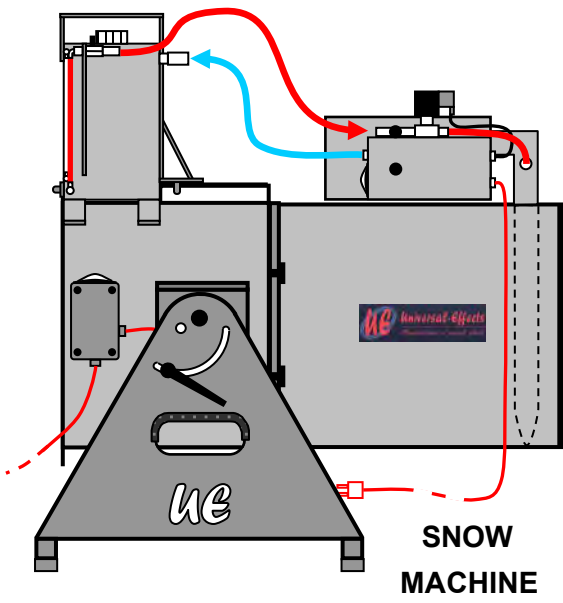
SCREWS AND HARDWARE IN STAINLESS – ALUMINIUM BODY – VERY POWERFUL

# TECHNICAL DIAGRAM – UE ST- BASE 350 & 500 WITH 4 POSSIBLES OPTIONS

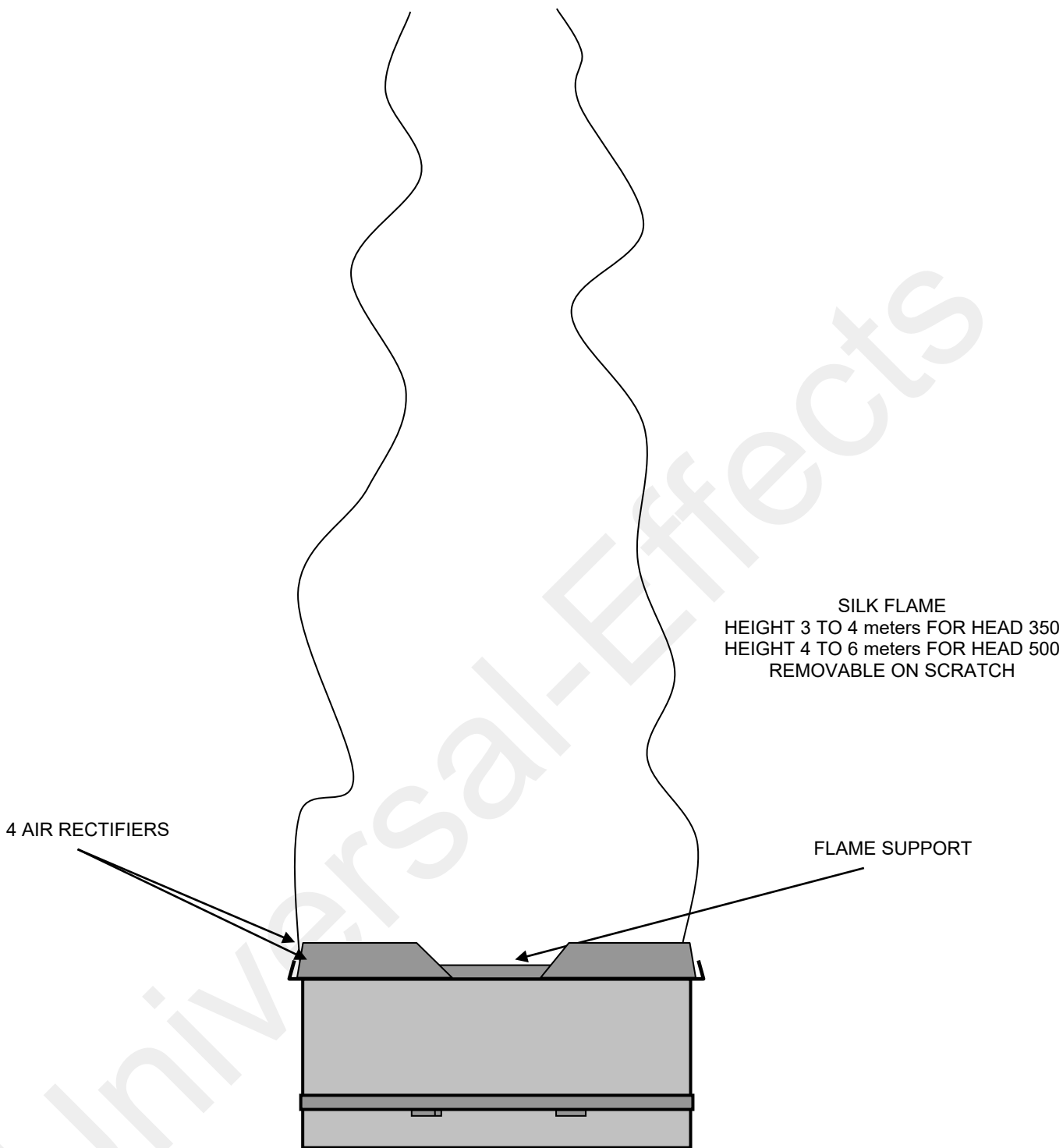


SCREWS AND HARDWARE IN STAINLESS – ALUMINIUM BODY – VERY POWERFUL

# COMBINATIONS WITH UE ST- BASE 350 & 500



# TECHNICAL DIAGRAM – UE HEAD AIRFLAME



SILK FLAME  
HEIGHT 3 TO 4 meters FOR HEAD 350  
HEIGHT 4 TO 6 meters FOR HEAD 500  
REMOVABLE ON SCRATCH

4 AIR RECTIFIERS

FLAME SUPPORT

STAINLESS SCREWS & HARDWARE - ALUMINUM BODY