



TECHNICAL DATASHEET

UE ST- Base 350 STD

Item Code : PFPFBA001122

The UE ST-Base 350 is very powerful and equipped with our traditional professional base that allow using on the ground, elevated foot, shoot tower or hang under a structure. It is also suitable for service companies and for fixed installations designed to operate inside and outside. ST-Power Base 350 STD include speed variation and is equipped with professional connectors and a resettable fuse.

NOMENCLATURE :

- 1 x UE ST- Base 350 STD
- 5 x Tightening buttons for heads
- 1 x PowerCon cable 5m



TECHNICAL SPECIFICATIONS :

Size : Lg 40 x lg 63 x Hg 57 cm

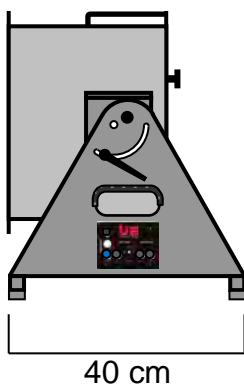
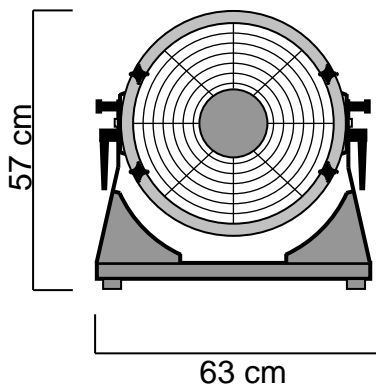
Weight : 20.2 Kg

Electrical Characteristics :
230V – 50/60Hz – 550W – 3.8A – IP 55

Comply with norm CE ERP 2015

CHARACTERISTICS :

Sound 84 dB / 3m inside
Sound 74 dB / 3m outside
Standard base ground.
Adjustment 110° vertical.
Can be hung under structure.
Electronic speed variation integrated in the base
Base control + Head by manual Switch



USABLE HEADS :

- | | |
|-----------------------|-------------------------|
| UE Head Foam 350 | UE Head Jet-Foam 350 |
| UE Head Snow 350 | UE Head Mist&Rain 350 |
| UE Head Twin 350 | UE Head Wind 350 |
| UE Head Fragances 350 | UE Head Jet-Bubbles 350 |
| UE Head AirFlame 350 | UE Head Projection 350 |

OPTIONAL ACCESSORIES :

- UE Skate Board 350
- UE Feet 50, 70, 100 (x 4)
- UE Shoot Tower 350

Manufactured in ALUMINIUM and STAINLESS, UE ST-Base 350 STD is done for last. Each element was chosen for his quality and efficiency.

Universal Effects, La qualité et l'innovation Fabriqué en France

Universal Effects est une Marque fabriquée et distribuée par la société Premium Factory SAS
1 Route Neuve, 71710 MONTCENIS - FRANCE | Email info@premiumfactory.eu | www.premiumfactory.eu
Société Anonyme Simplifié au capital de 1 000 € | Siret 840 703 797 00018 | VAT Nr: FR47840703797

UE Head Snow 350

Item Code : PFPNE001112

UE Head Snow meets the requirements of entertainment and entertainment professionals.
Very powerful, it projects far and wide and the size of the flakes is adjustable.
It is delivered complete with an aluminum tank equipped with a level, a valve and an industrial connection.
It is possible to connect optional tanks of large capacity.

NOMENCLATURE :

- 1 x UE Head Snow 350
- 1 x Tank Alu 350



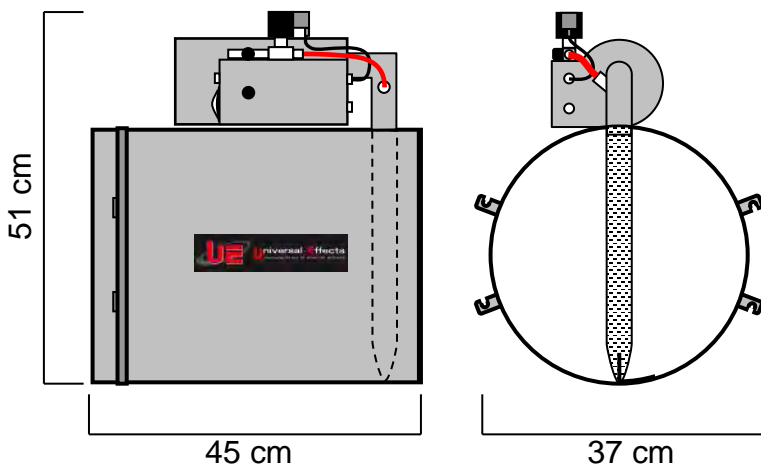
TECHNICAL SPECIFICATIONS :

Size : 45 x 37 x 51 cm
Weight : 12.2 Kg
Electrical Specifications :
230V – 50/60Hz – 1400W – 6.1A – IP54

FEATURES :

Tank : Size : 40 x 21 x 33 cm
 Weight : 3,5 Kg
 Capacity : 10L

On UE K- Base 350 projection at 8m
On UE ST- Base 350 projection at 13m
On UE XT- Base 350 projection at 10m



BASES USABLE :

- UE K- Base 350
- UE ST- Base 350
- UE XT- Base 350

OPTIONAL ACCESSORIES :

- UE Auto Tank Filler

CONSUMPTION :

- Consumption in snow liquid is 15 to 30 L / h

CONSUMABLES :

- UE ST- Snow Fluid RTU Ready To Use
- UE ST- Snow Fluid CC Diluted 90% in water

Universal Effects, La qualité et l'innovation Fabriqué en France