

UE Snow Tour

Item Code : PFFCNE008012

UE Snow Tour is specially designed to face the toughest working conditions, thermally and acoustically isolated, its use adapts to all types of show, both outdoors and indoors. Used with our Snow Fluid RTU, it will give you truly exceptional performance. Very quiet and compact, this machine is becoming the indisputable reference of flight case machines. She is really cut for the road.

NOMENCLATURE :

- 1 x UE Snow Tour
- 1 x IEC power cable 1.5m



TECHNICAL SPECIFICATIONS :

Size (Vertical lyre) :

L 75 x W 44 x H 90 cm

Size (Horizontal lyre) :

L 89 x W 44 x H 46 cm

Weight : 27.4 Kg

Electrical Specifications :

230V – 50/60Hz – 1200W – IP54

FEATURES :

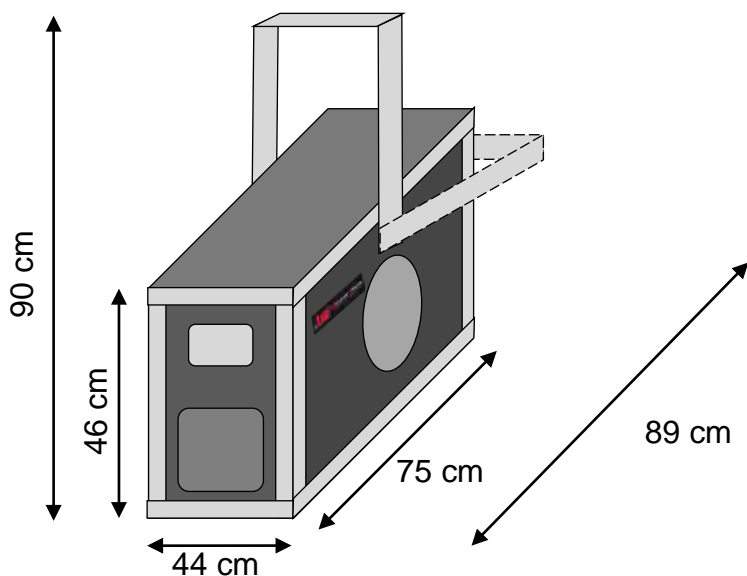
Tank capacity: 10 liters.

Delivered with a + 10 ° to -190 ° swiveling lyre allowing the attachment under Truss, this machine is used as well posed on the ground as suspended.

Integrated electronic control with timer and DMX.

Sound level at 1m: 82 dB, at 3m: 73 dB

Thermal and sound insulation



CONSUMABLES :

ST-Snow Fluid RTU
ST-Snow Fluid CC

CONSUMPTION AND PRODUCTION :

- Consumption of 15 to 30 liters per hour following the adjustment of the flow.
- Projection distance with ST-Snow Fluid: 8 to 10 meters

Built in Flight-Case, thermally and acoustically isolated, this machine is designed to cope with the toughest working conditions.

Universal Effects, La qualité et l'innovation Fabriqué en France