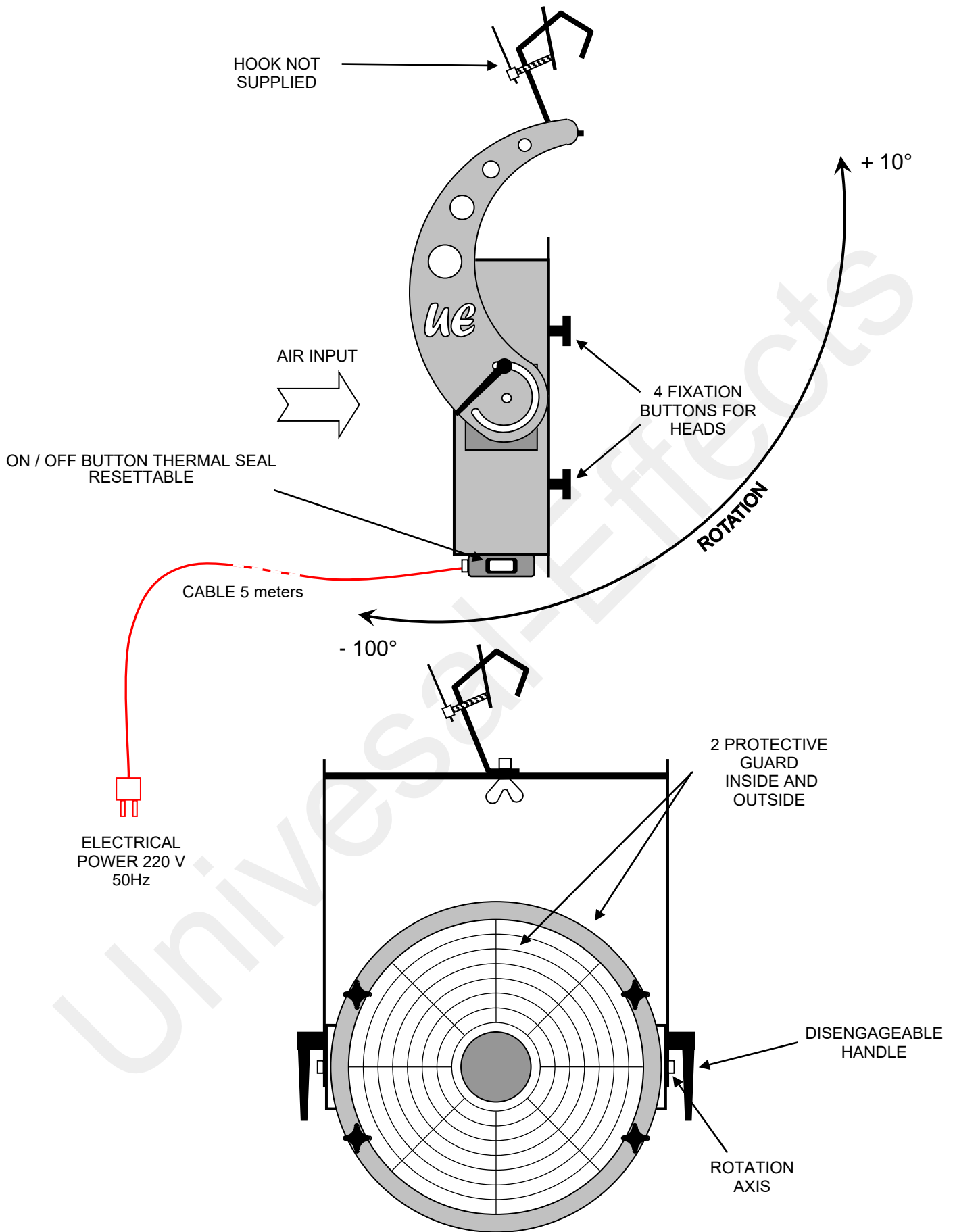
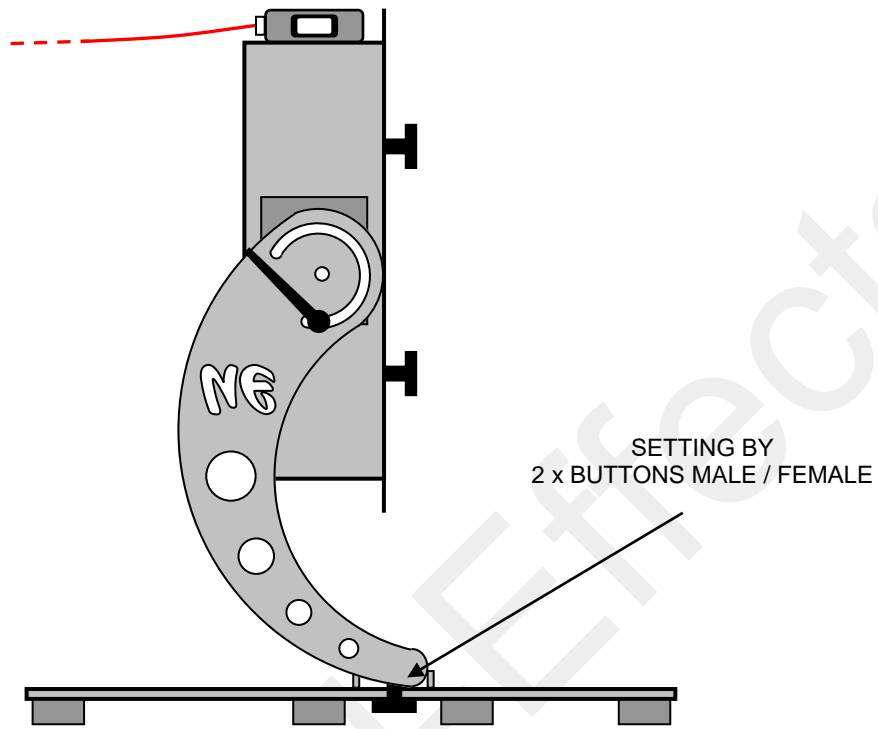


TECHNICAL DIAGRAM – UE K-BASE 350 & 500



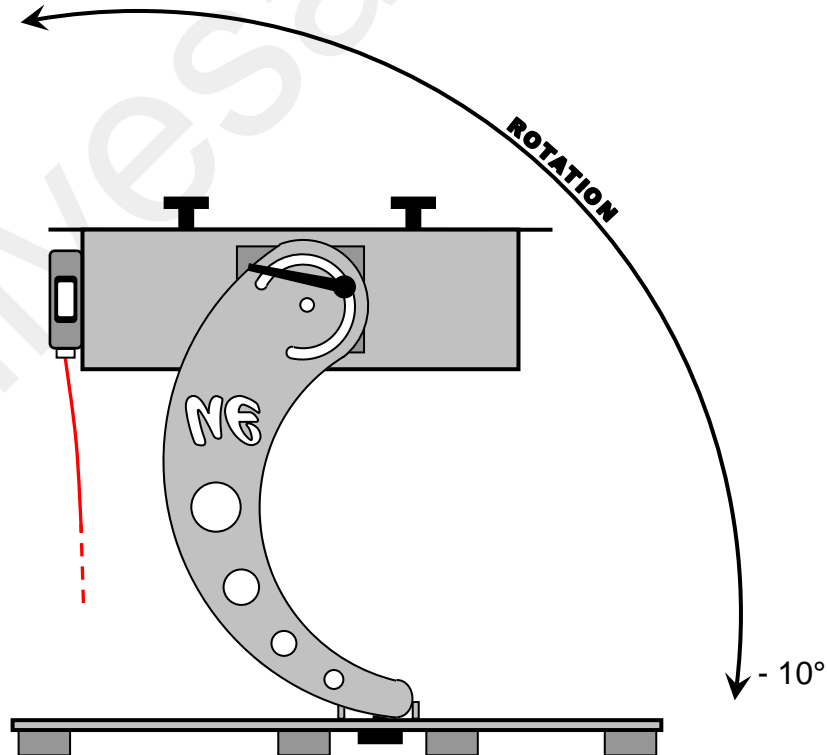
SCREWS AND HARDWARE IN STAINLESS – ALUMINIUM BODY – VERY COMPACT

TECHNICAL DIAGRAM – UE K- BASE 350 & 500 WITH GROUND SUPPORT OPTION



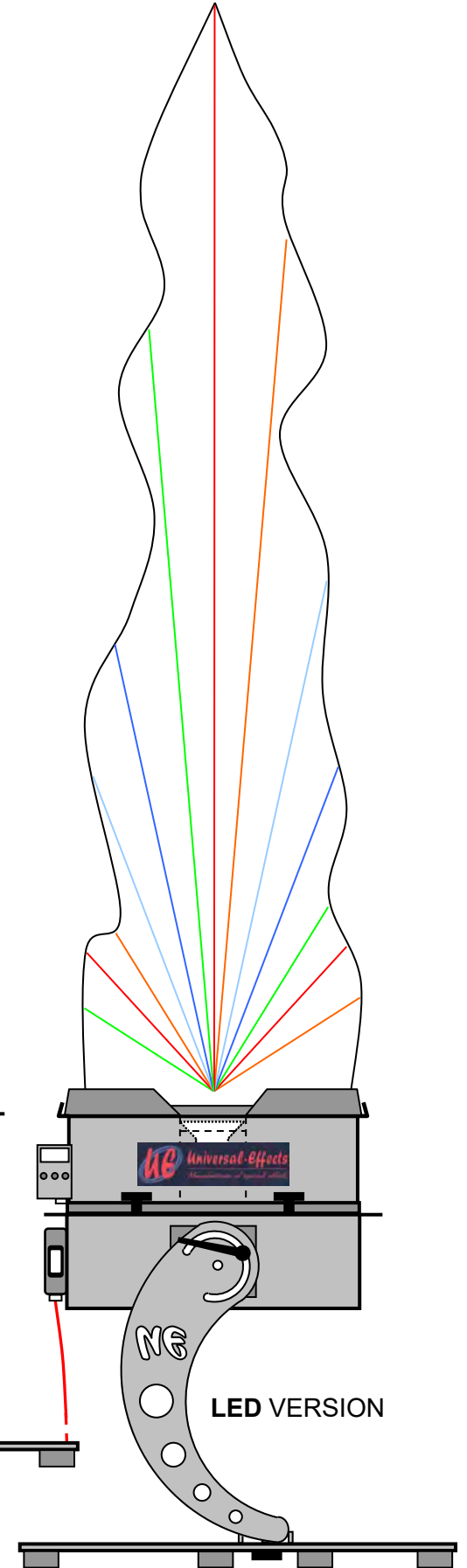
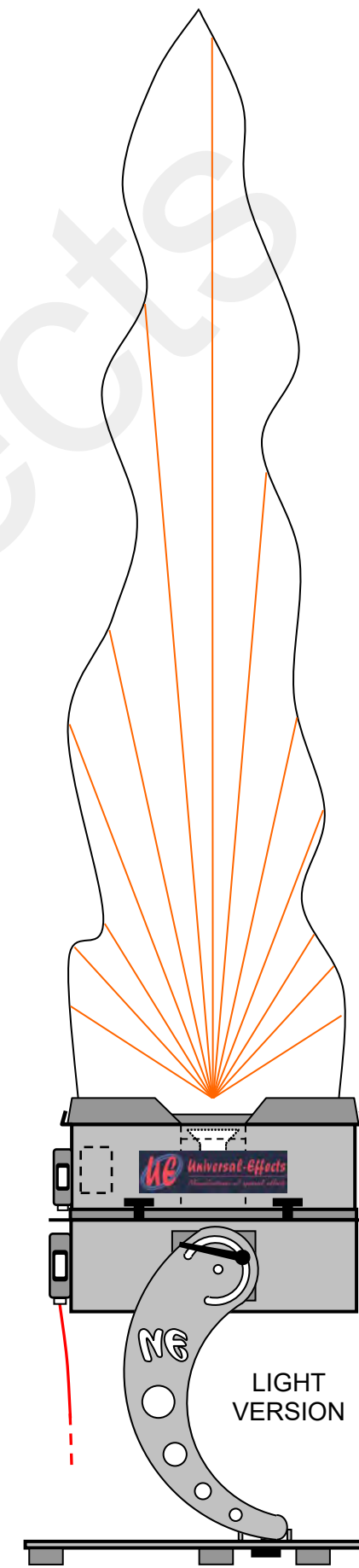
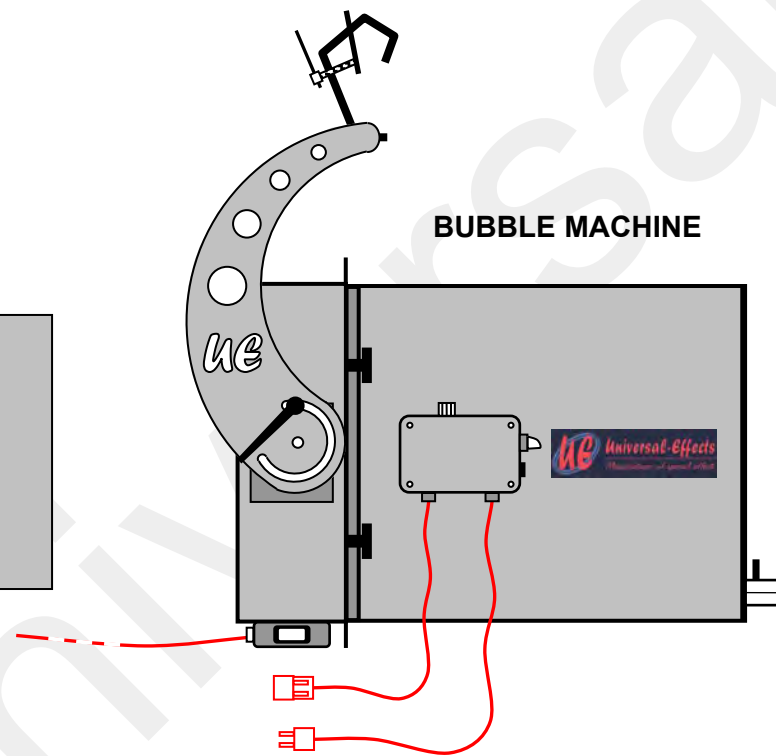
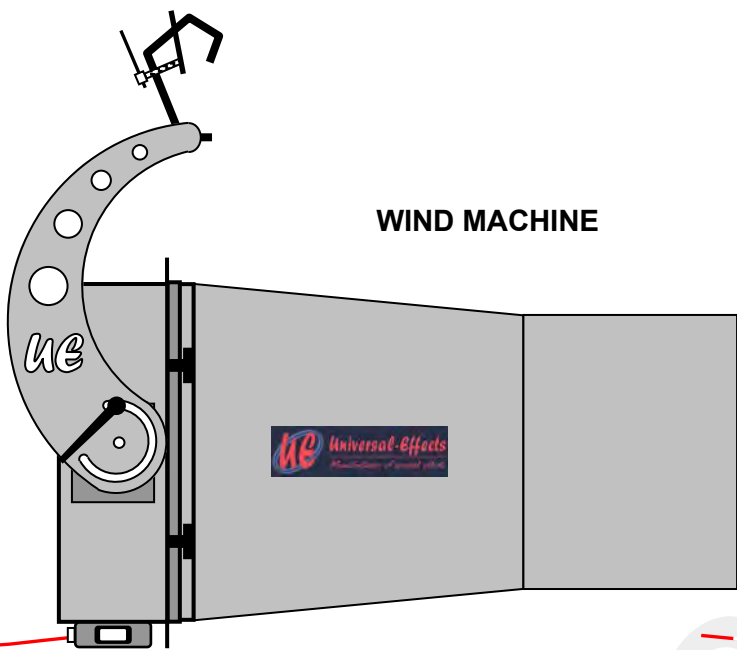
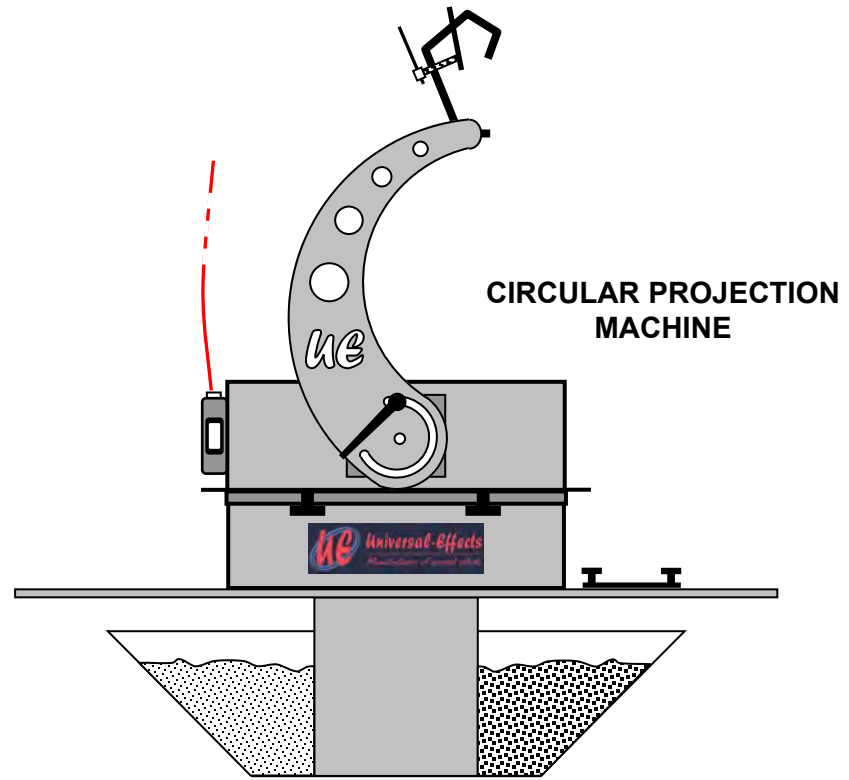
GROUND SUPPORT
REF : UE GROUND FOOT K-350 & K-500

+ 100°



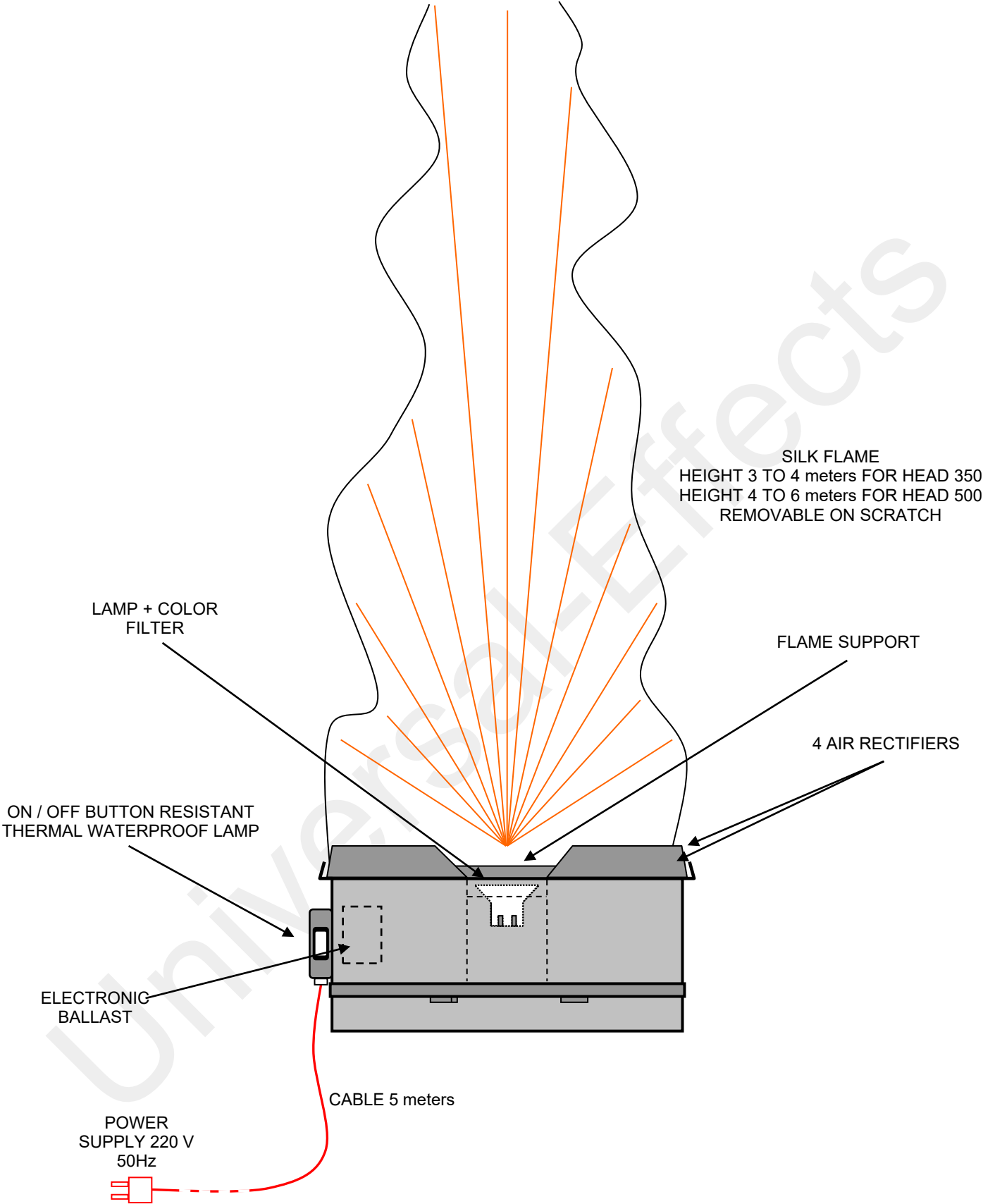
SCREWS AND HARDWARE IN STAINLESS – ALUMINIUM BODY – VERY COMPACT

COMBINATIONS WITH UE K-BASE 500



AIRFLAME MACHINE

TECHNICAL DIAGRAM – UE HEAD AIRFLAME LIGHT



- VERY POWERFUL LAMP (METALLIC IODIDE)
- REMOVABLE DICHROIC GLASS ORANGE FILTER

VISSERIE & QUINCAILLERIE EN INOX – CORPS EN ALUMINIUM