

## UE K- Base 350 STD

Item Code : PFPFBA001121

The UE K-Base 500 STD is compact, economical and quiet. It is intended for small and medium fixed or mobile installations and visual performances with virtual flames and inflatable Designs. It allows individual or multiple use autonomously, disseminated within the lighting. The K-Power Base 500 STD incorporates a variation of speed and is equipped with professional connectors and a resettable fuse.

### NOMENCLATURE :

- 1 x UE K- Base 350 STD
- 4 x Boutons de serrages pour les têtes
- 1 x PowerCon cable 5m

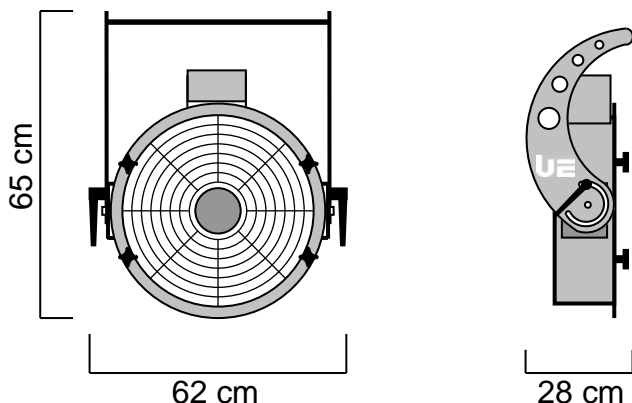


### TECHNICAL SPECIFICATIONS :

Size : 28 x 62 x 65 cm  
 Weight : 13 Kg  
 Electrical Specifications :  
 230V – 50/60Hz – 355W – 1.55A – IP 44  
 Conforming to CE standards ERP 2015

### FEATURES :

Noise 74 dB / 3m inside (high speed version).  
 110 ° vertical adjustment.  
 Possibility of hanging under structure.  
 Optional floor stand.  
 Electronic variation of the integrated speed.  
 Base + Head Control by Manual Switch.



### HEADS USABLES :

- |                       |                         |
|-----------------------|-------------------------|
| UE Head Foam 350      | UE Head Jet-Bubbles 350 |
| UE Head Snow 350      | UE Head Striptease 350  |
| UE Head Twin 350      | UE Head Wind 350        |
| UE Head Fragances 350 | UE Head AirFlame 350    |

### OPTIONAL ACCESSORIES :

- UE Ground Foot 350

Made of ALUMINUM and INOX, the UE K-Base 350 STD is built to last. Each element has been chosen for its quality and efficiency.

**Universal Effects, La qualité et l'innovation Fabriqué en France**

## UE Head Wind 350

Item Code : PFPFWI001119

The UE Head Wind makes it possible to direct the wind in a concentrated beam.  
Used without a head, our bases produce a powerful and wide wind effect.  
The head doubles the range of the airflow by reducing the opening of the effect.  
It also creates an acceleration phenomenon by increasing the wind speed.  
It is advisable to equip yourself with a power variator to precisely control the desired effect.

### NOMENCLATURE :

- 1 x UE Head Wind 350



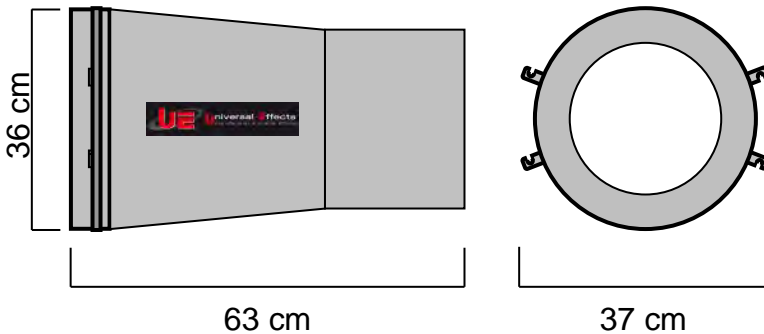
### TECHNICAL SPECIFICATIONS :

Size : 63 x 37 x 36 cm

Weight : 3.8 Kg

### FEATURES :

Wind directed and accelerated.  
Allows precision and significant scope.



### BASES USABLE :

- UE K- Base 350
- UE ST- Base 350
- UE XT- Base 350

### SPEED AND WIND FLOW :

On UE K-Base 350 the output speed is 50Km / h with a flow rate of 80m<sup>3</sup> / min.  
On UE ST-Base 350 the output speed is 71Km / h with a flow rate of 144m<sup>3</sup> / min.  
On EU XT-Base 350 the output speed is 64Km / h with a flow rate of 51 m<sup>3</sup> / min.

Made of ALUMINUM, the Head Wind 350 is built to last. Each element has been chosen for its quality and efficiency.

**Universal Effects, La qualité et l'innovation Fabriqué en France**