

UE ST- Base 500 STD

Item Code : PFPFBA001222

The UE ST-Base 500 is very powerful and equipped with our traditional professional base that allow using on the ground, elevated foot, shoot tower or hang under a structure. It is also suitable for service companies and for fixed installations designed to operate inside and outside. ST-Power Base 500 STD include speed variation and is equipped with professional connectors and a resettable fuse.

NOMENCLATURE :

- 1 x UE ST- Base 500 STD
- 5 x Tightenig buttons for heads
- 1 x PowerCon cable 5m



TECHNICAL SPECIFICATIONS :

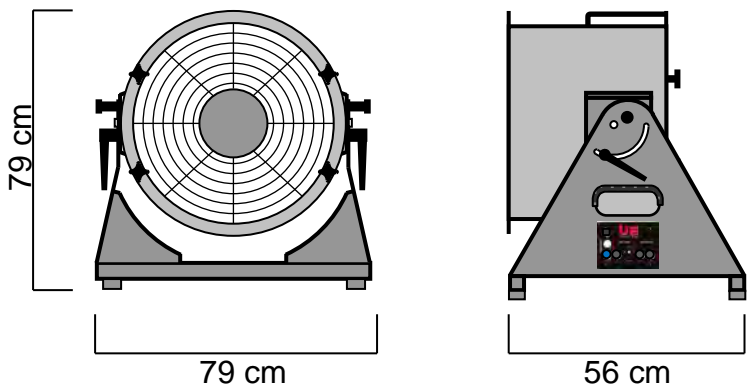
Size : Lg 56 x lg 79 x Hg 79 cm - Weight: 38 Kg

Electrical Characteristics :
230V – 50/60Hz – 1500W – 6.5A – IP 55

Comply with norm CE ERP 2015

CHARACTERISTICS :

- Sound 91 dB / 3m inside.
- Sound 81 dB / 3m outside.
- Standard base ground.
- Ajustment on 110° vertical.
- Can be hung under structure.
- Electronic speed variation integrated in the base.
- Base control + Head for manual Switch.



USABLE HEADS:

- | | |
|-----------------------|-------------------------|
| UE Head Foam 500 | UE Head Jet-Foam 500 |
| UE Head Snow 500 | UE Head Mist&Rain 500 |
| UE Head Twin 500 | UE Head Wind 500 |
| UE Head Fragances 500 | UE Head Jet-Bubbles 500 |
| UE Head AirFlame 500 | UE Head Projection 500 |

OPTIONAL ACCESSORIES :

- UE Skate Board 500
- UE Feet 50, 70, 100 (x 4)
- UE Shoot Tower 500

Manufactured in ALUMINIUM and STAINLESS, UE ST-Base 500 STD is done for last. Each element was chosen for his quality and efficiency.

Universal Effects, La qualité et l'innovation Fabriqué en France



TECHNICAL DATASHEET

UE Head Jet-Foam 500

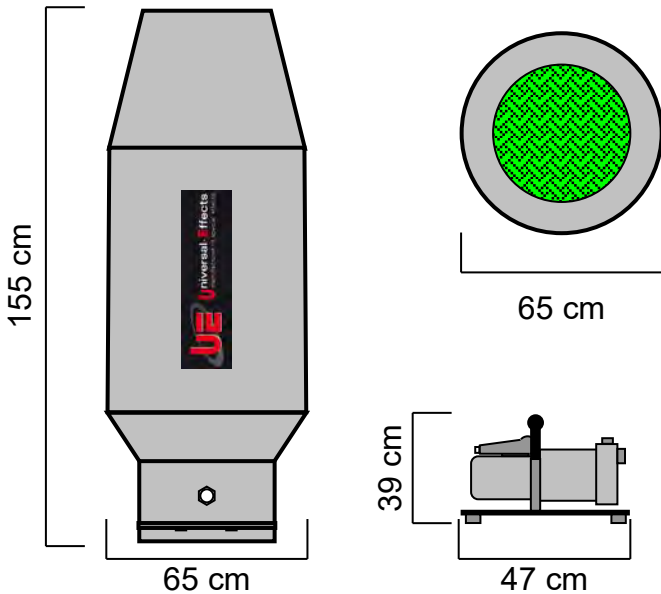
Item Code : PFPFJF001211

The UE Head Jet-Foam is powerful, reliable and produces quality foam.
The foam is produced inside the head and is projected continuously.
By mounting the machine on one of our turrets, you can water the track, the stage or the pool very easily by a very playful sweep.
Built in aluminum, this head is light despite its size.
Delivered complete with its pump on support and all necessary hoses.



NOMENCLATURE :

- 1 x UE Head Jet-Foam 500
- 1 x Pump 500
- 1 x Hose Kit



TECHNICAL SPECIFICATIONS :

Size : 155 x 65 x 65 cm
Weight : 38 Kg

NECESSARY ACCESSORIES:

- Pump 500: Size : 47 x 34 x 39 cm
 Weight : 17,4 Kg
 Electrical Specifications :
 230V – 50Hz – 1300W – 6,1A – IP 44
- Hose Kit: Length : 5 m and 7 m
 Weight : 5,6 kg

BASE USABLE :

- UE ST- Base 500

OPTIONAL ACCESSORIES:

- UE Ballast 500

CONSUMPTION AND PRODUCTION:

- On UE ST- Base 500 production of 120 m³ / min of foam.
- Projection over 10m of a foam storm.
- Liquid consumption with CC foam: 2,4 L / mn
- Consumption in water + fluid preparation: 120 L / mn

CONSUMABLES :

- XT- Foam Fluid CC Diluted at 98% in water.
- XT- Foam Fluid HC Diluted at 99.5% in water.
- XT- Foam Fluid LC Diluted at 97% in water.

Universal Effects, La qualité et l'innovation Fabriqué en France