

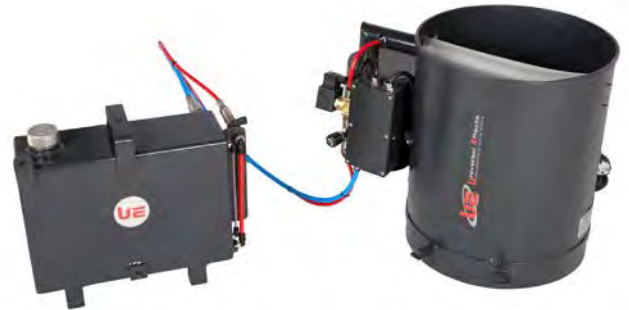
## UE Head Snow 350

Item Code : PFPNE001112

UE Head Snow meets the requirements of entertainment and entertainment professionals. Very powerful, it projects far and wide and the size of the flakes is adjustable. It is delivered complete with an aluminum tank equipped with a level, a valve and an industrial connection. It is possible to connect optional tanks of large capacity.

### NOMENCLATURE :

- 1 x UE Head Snow 350
- 1 x Tank Alu 350



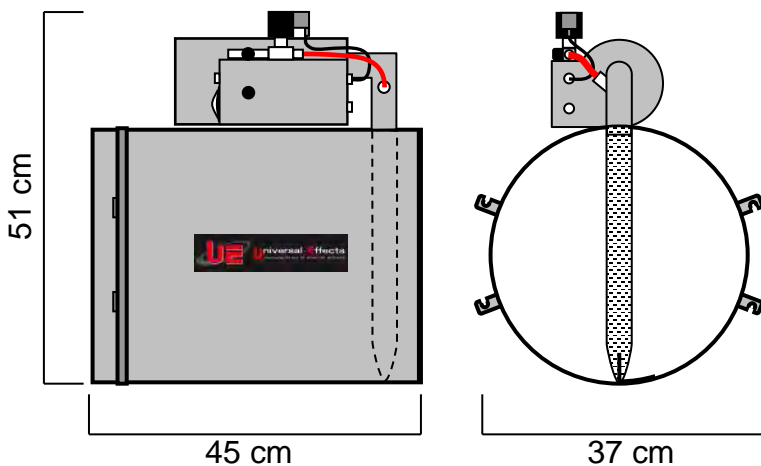
### TECHNICAL SPECIFICATIONS :

Size : 45 x 37 x 51 cm  
 Weight : 12.2 Kg  
 Electrical Specifications :  
 230V – 50/60Hz – 1400W – 6.1A – IP54

### FEATURES :

Tank :                      Size : 40 x 21 x 33 cm  
                                     Weight : 3,5 Kg  
                                     Capacity : 10L

On UE K- Base 350 projection at 8m  
 On UE ST- Base 350 projection at 13m  
 On UE XT- Base 350 projection at 10m



### BASES USABLE :

- UE K- Base 350
- UE ST- Base 350
- UE XT- Base 350

### OPTIONAL ACCESSORIES :

- UE Auto Tank Filler

### CONSUMPTION :

- Consumption in snow liquid is 15 to 30 L / h

### CONSUMABLES :

- UE ST- Snow Fluid RTU Ready To Use
- UE ST- Snow Fluid CC Diluted 90% in water

**Universal Effects, La qualité et l'innovation Fabriqué en France**