



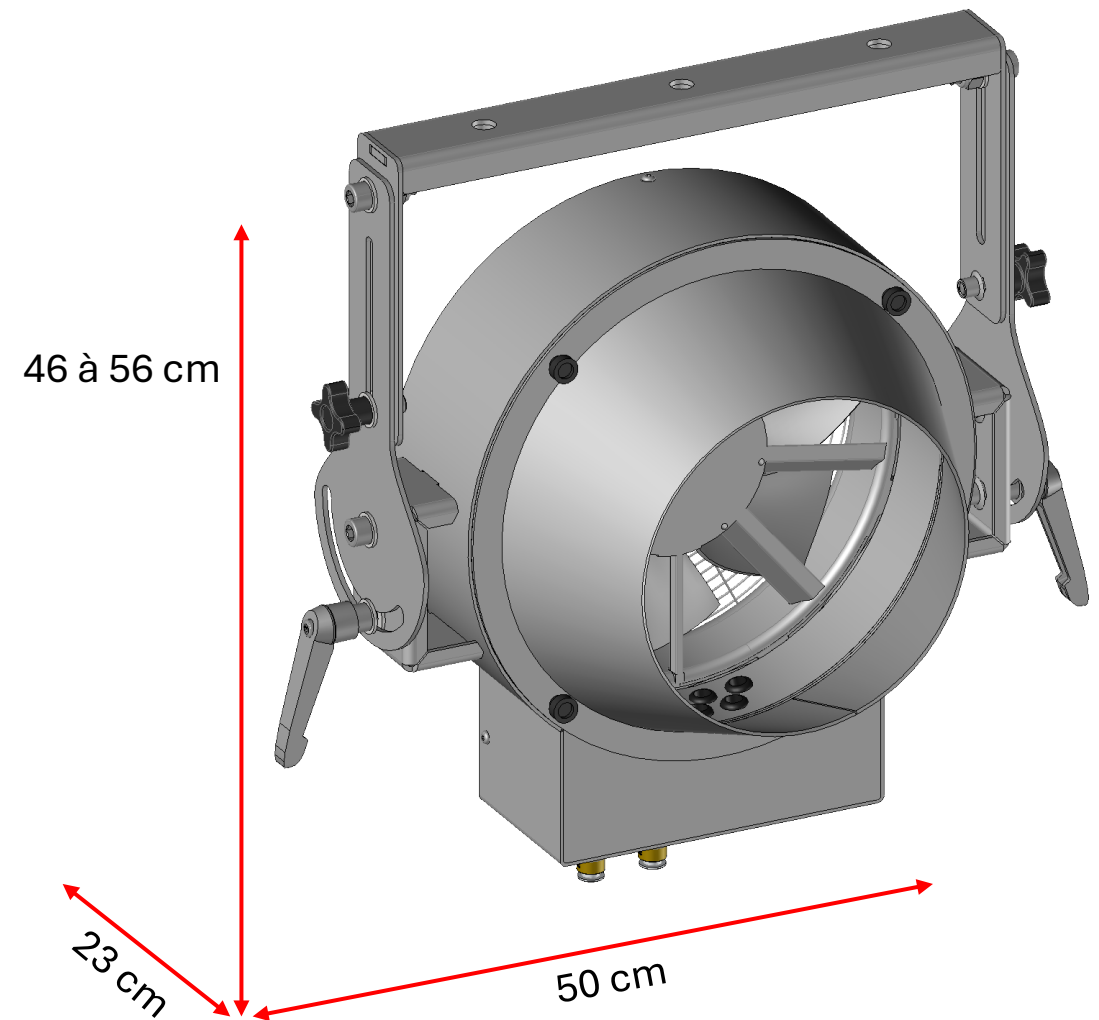
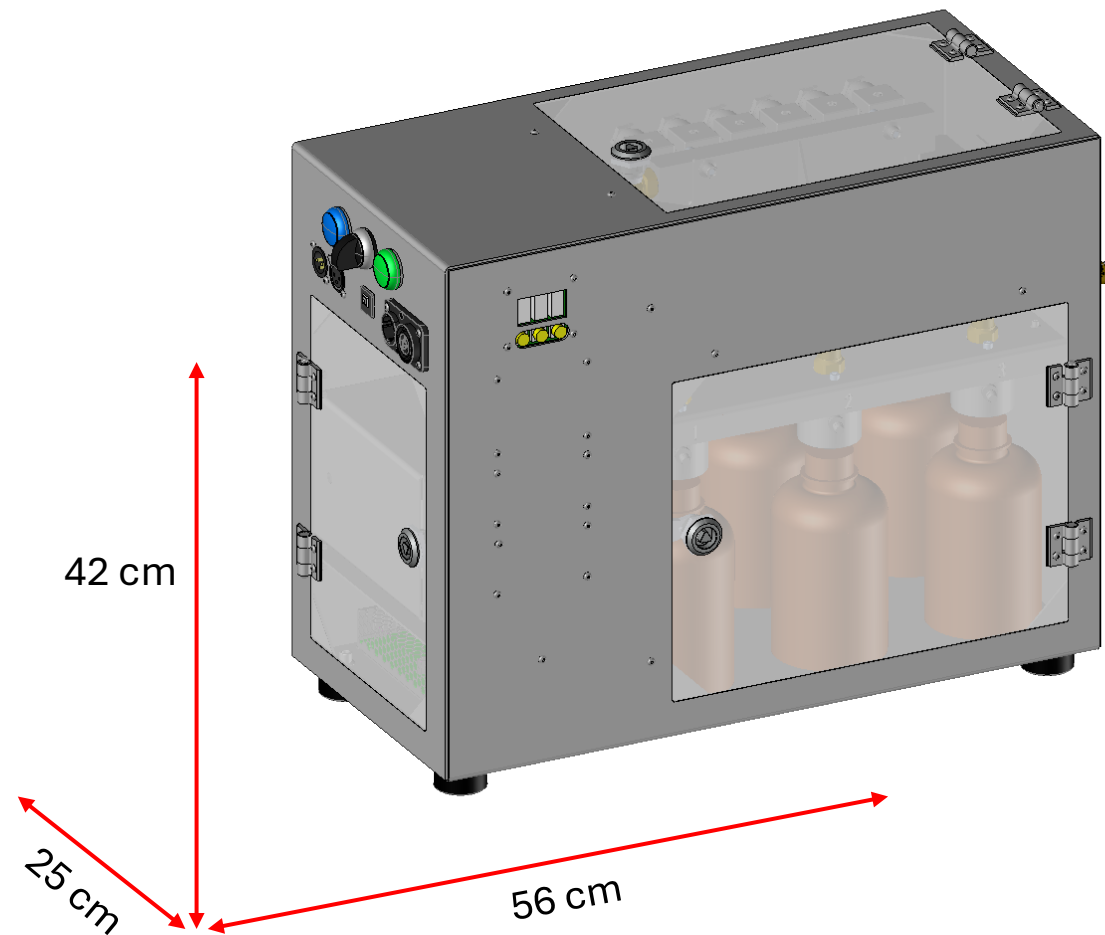
Universal-**E**ffects
The special effects

PRESENTATION OF THE FRAGRANCE SYSTEM CONCEPT

SYSTEM OVERVIEW

The Fragrances Station system consists of 3 components:

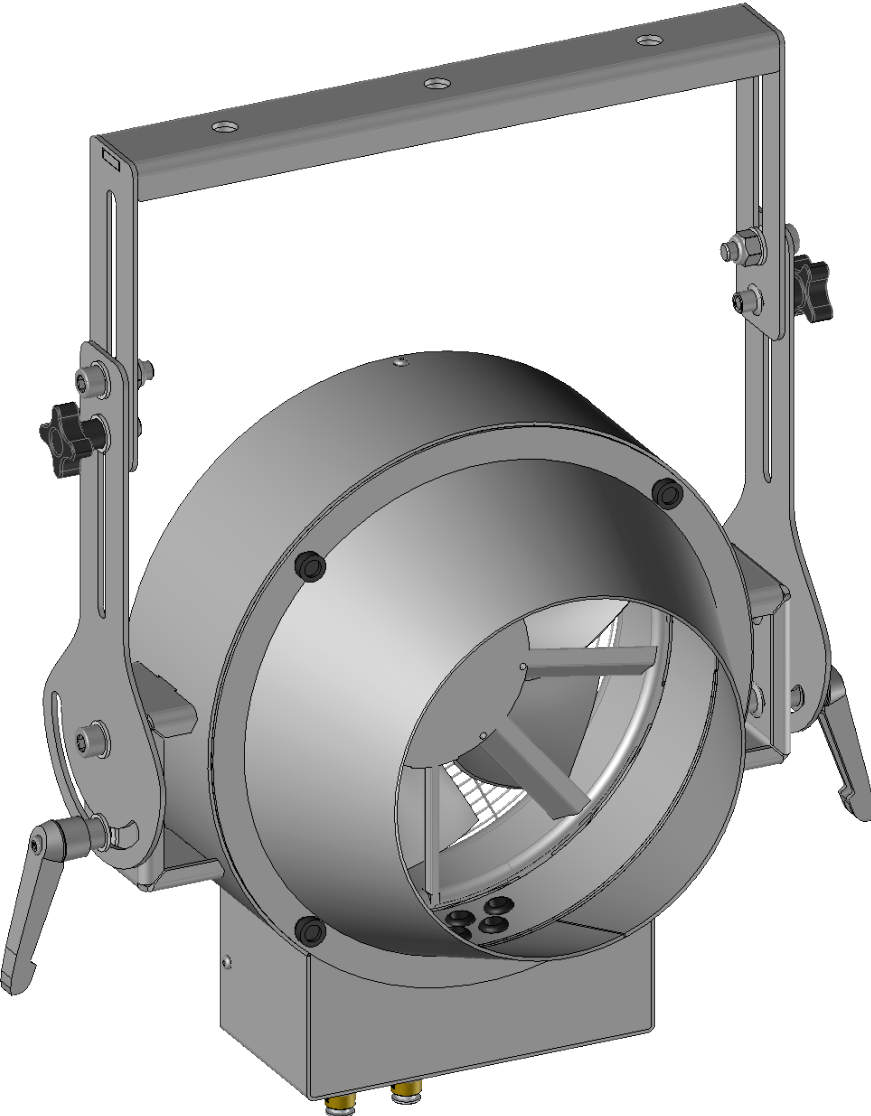
1. UE FRAGRANCES DIFFUSER HEAD
2. UE FRAGRANCES STATION 6 OUT
3. LINK FRAGRANCES STATION 6 TO DIFFUSER (not shown)



HEIGHT ADJUSTMENT OF THE FRAGRANCES DIFFUSER

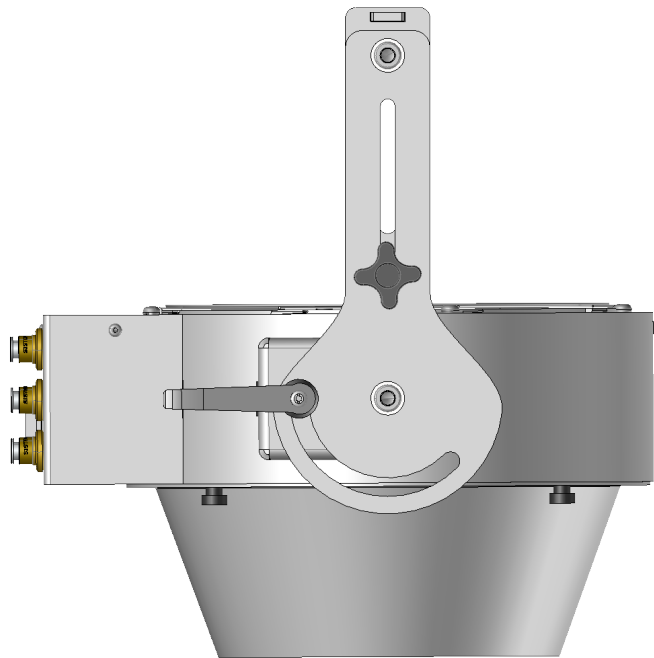


Range
100 cm

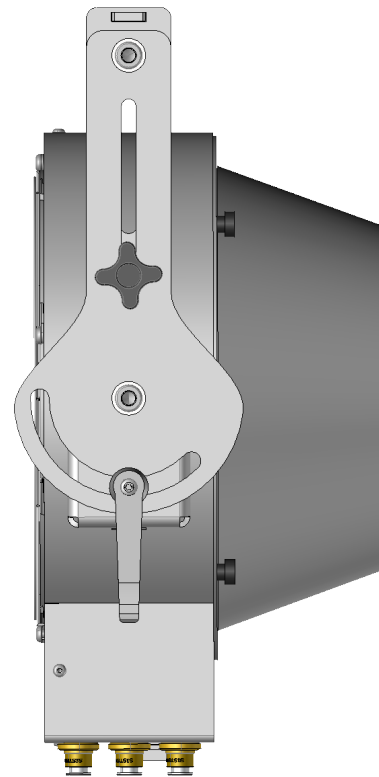


ORIENTATION ADJUSTMENTS OF THE FRAGRANCES DIFFUSER

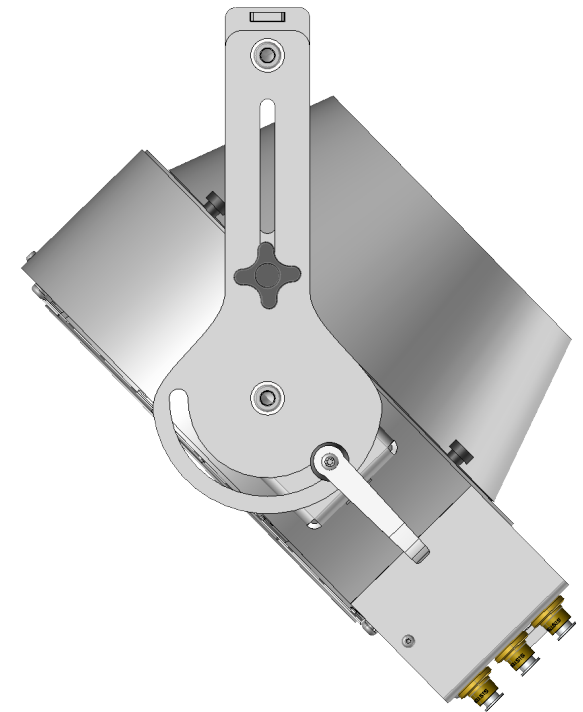
Total range :
135°



Position
-90°

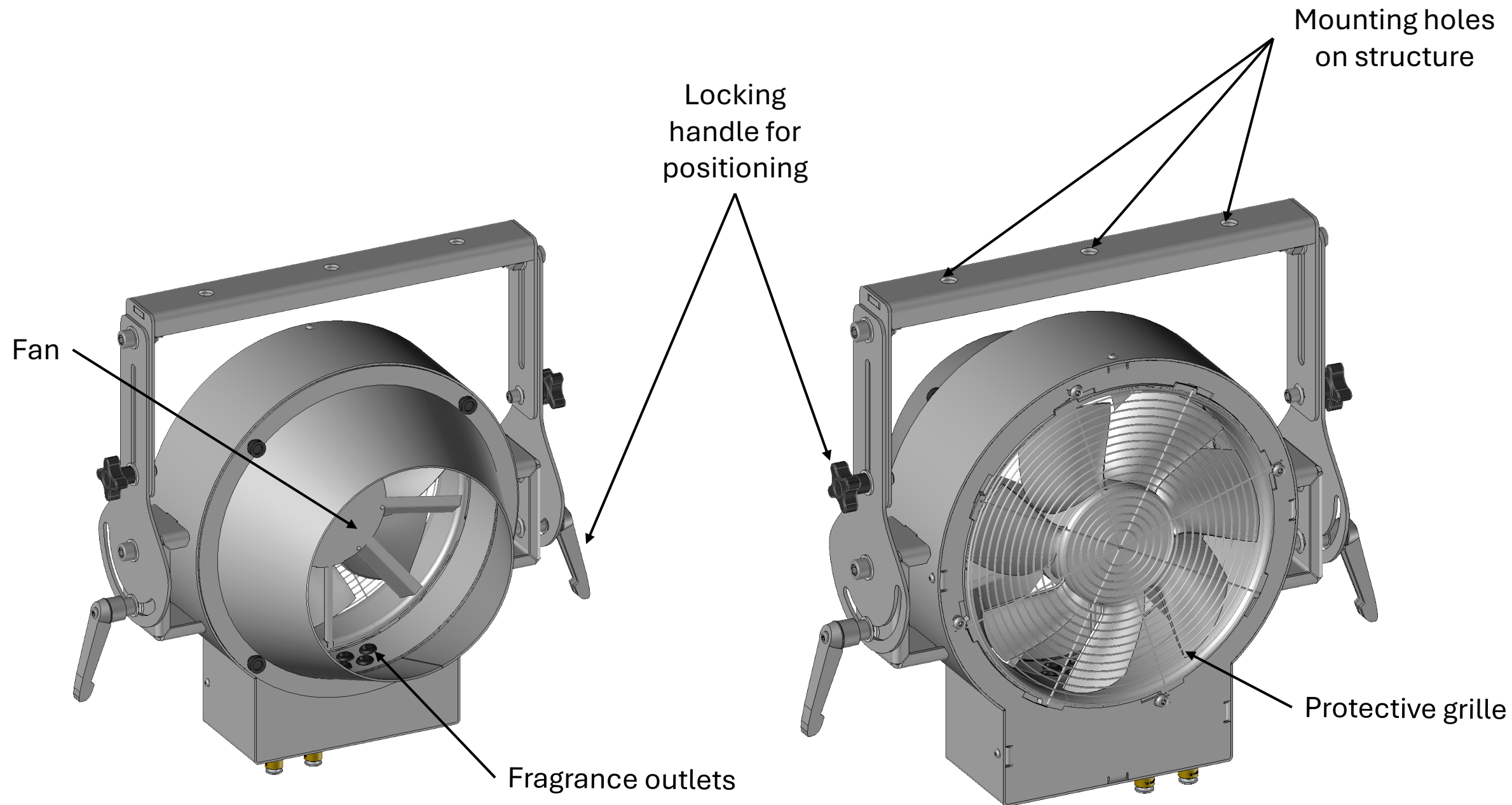


Position
0°



Position
+35°

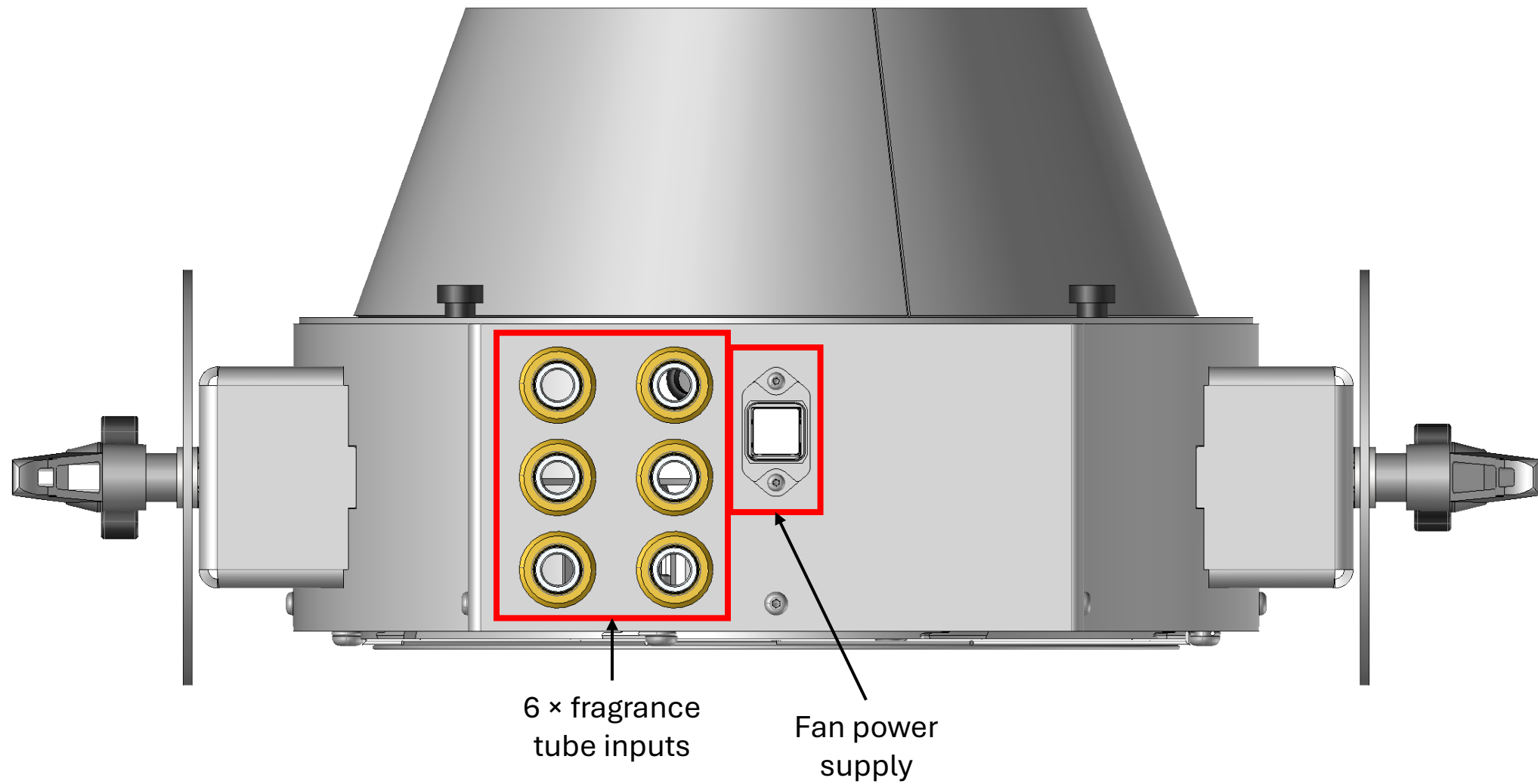
VIEW AND FEATURES OF THE FRAGRANCES DIFFUSER



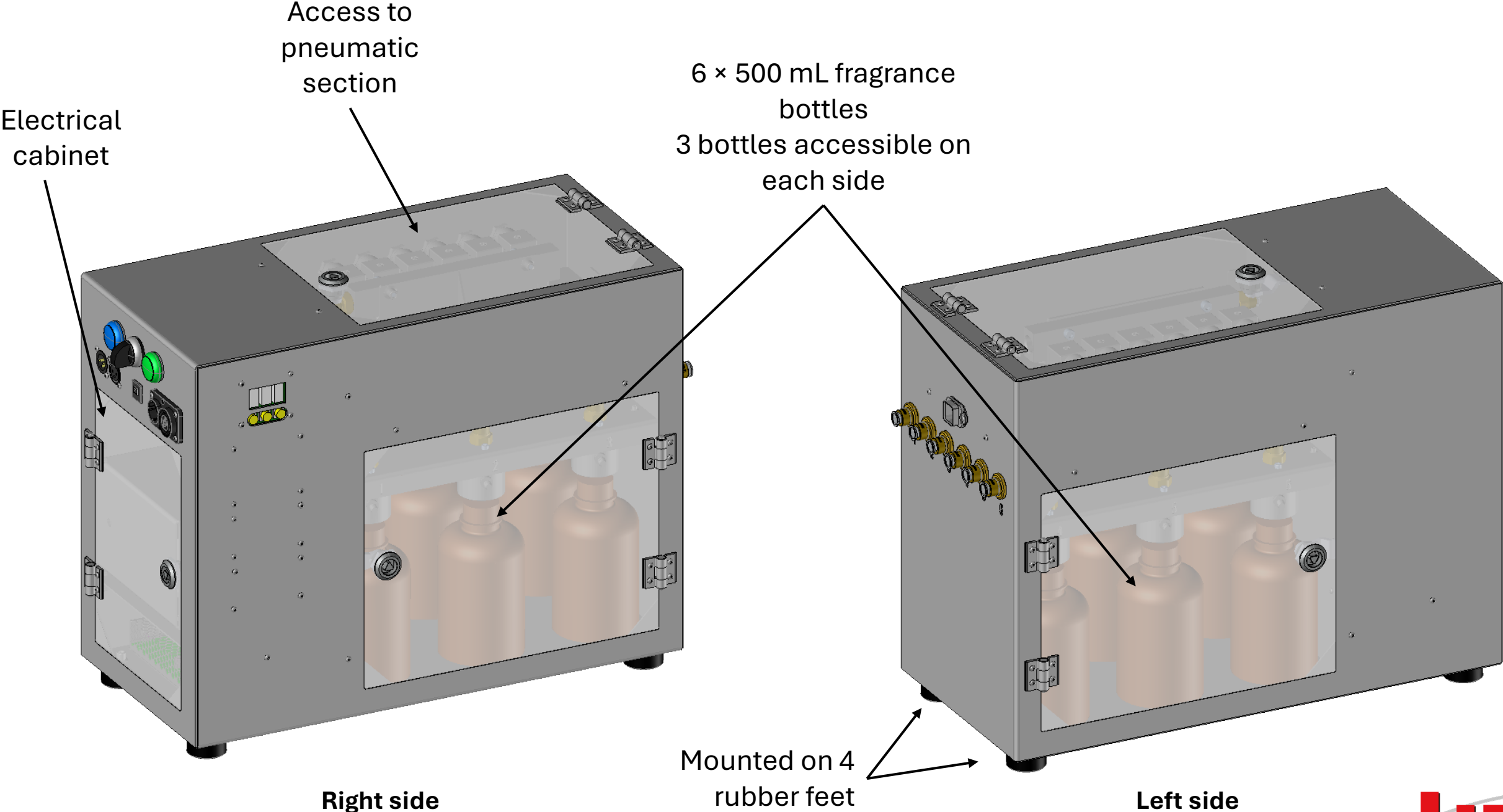
Front side

Rear side

VIEW OF THE FRAGRANCES DIFFUSER CONNECTIONS

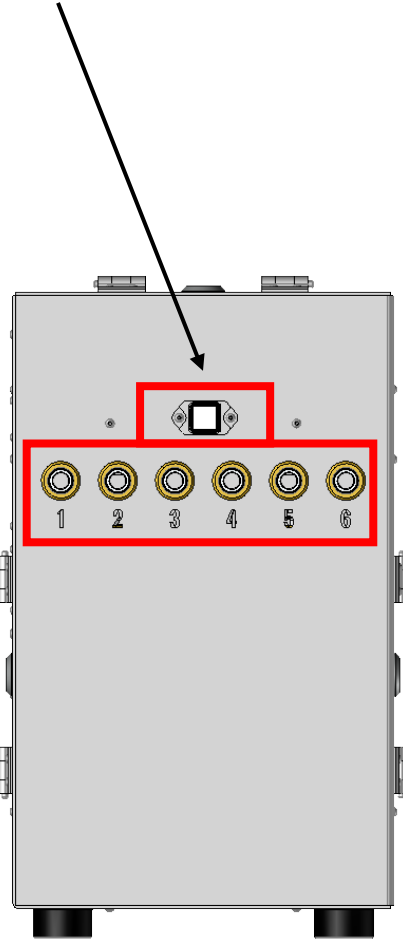


VIEW AND FEATURES OF THE FRAGRANCES STATION 6 OUTPUTS



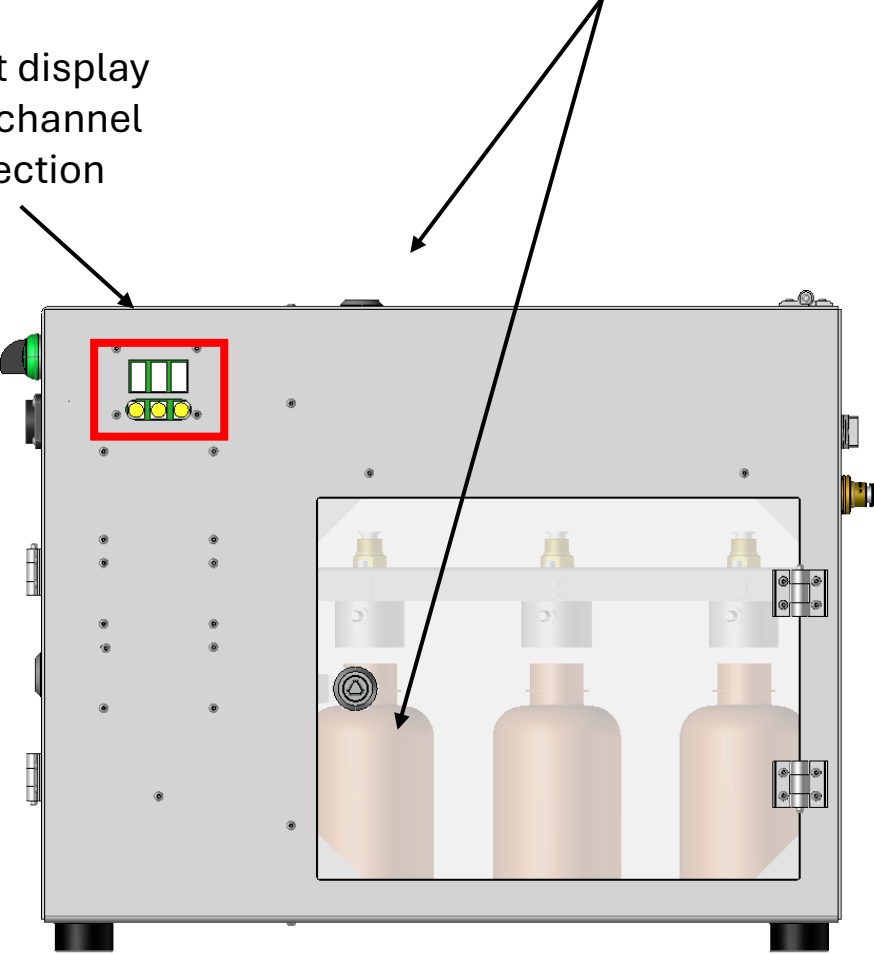
GENERAL VIEWS OF THE FRAGRANCES STATION 6 OUTPUTS

6 × fragrance outputs
 1 × electrical output
 to the FRAGRANCES
 DIFFUSER



Rear side

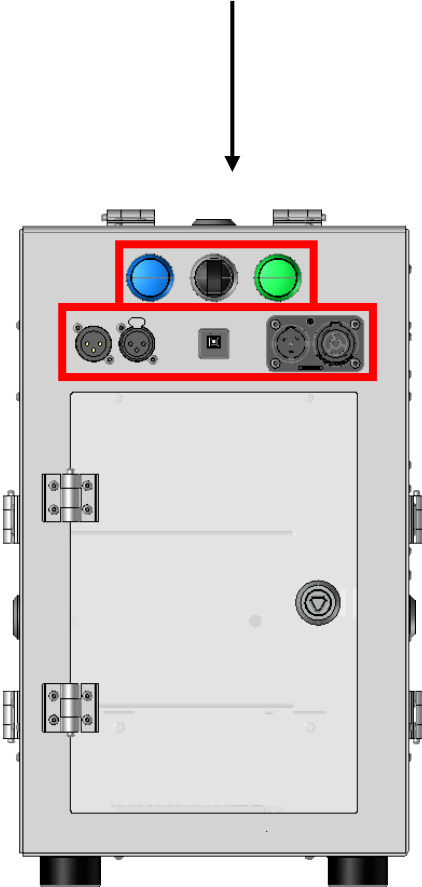
3-digit display
 DMX channel
 selection



All doors are secured
 with Triangle 8 type locks

Sides

2 × indicator lights
 1 × ON/OFF button
 1 × DMX input (XLR 3)
 1 × DMX output (XLR 3)
 1 × power input (Powercon)
 1 × power output (Powercon)
 1 × circuit breaker



Front side

Premium FX

Atmospheric Special Effects

WWW.PREMIUMFACTORY.EU

info@premiumfactory.eu

Phone +33 385 730 747