

# USER MANUAL

# SONICBOOM BLASTER

V1.0

2026/03/11



Showven Technologies Co., Ltd.



Thanks for choosing SONICBOOM BLASTER, we wish it will sparks up your show.  
Please read the following manual carefully before operating this product.

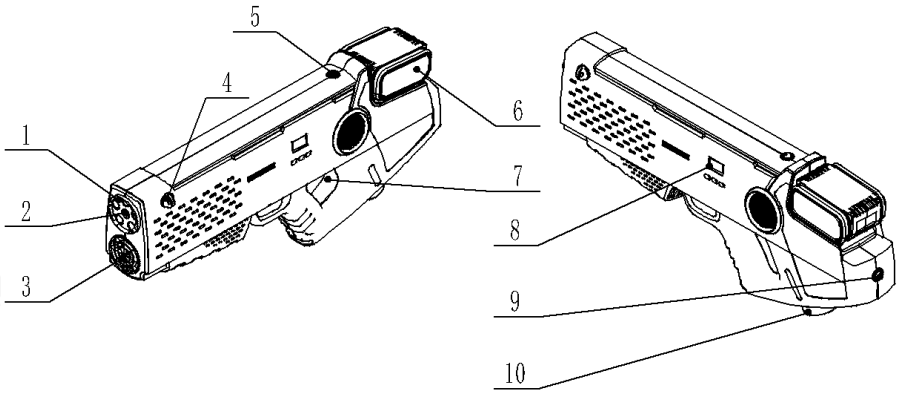
## Δ Safety Instructions

- ∨ Unauthorized repair are prohibited, it may cause serious incident.
- ∨ For adult use only, forbidden to pointing the gun into people and flammable materials when firing. Keep out of reach of children.
- ∨ If the machine fails to work, please stop operation. Check fog fluid etc. carefully, if can't solve the problem, please contact SHOWVEN® or your local SHOWVEN® partner for advice.
- ∨ Use SHOWVEN® original FX-BLASTER fog fluid only, other fluid may lead to clog or malfunction. Please do not adding any other material such as pigment, alcohol etc. to the fluid bottle.
- ∨ In case of eye contact of fog fluid, please wash it with clean water. If fluid is swallowed immediately look for medical advice.
- ∨ Never touch the nozzle of SONICBOOM BLASTER danger of getting burnt.
- ∨ There are ventilation holes on the side panel; please do not block them to prevent heat dissipation failure.
- ∨ When charging for the battery, please use original charger for the battery. Take out the battery when storage the machine.

## Δ Technical Specifications

- ∨ **DIMENSION:** 590×270×95mm
- ∨ **WEIGHT:** 5.4kg
- ∨ **VOLTAGE:** AC100-240V, 50/60Hz
- ∨ **WORK POWER:** 1000W
- ∨ **Usage In Rain:** NO
- ∨ **BATTERY:** Makita 40V BL4040 4.0AH battery (not included)
- ∨ **HEATING UP TIME:** 7min
- ∨ **STANDBY TIME:** 90min
- ∨ **Max OUTPUT DURATION:** 20s
- ∨ **Battery Support Max. Blasts times:** 5 (20s, battery full charged and preheated by AC power)
- ∨ **FOG FLUID CONSUMPTION RATE:** 1.2ml/s
- ∨ **OUTPUT DISTANCE:** 10m
- ∨ **FLUID BOTTLE CAPACITY:** 150ml
- ∨ **POWER IN:** Neutrik PowerCON TRUE1
- ∨ **CONSUMABLE:** FX-BLASTER FOG FLUID
- ∨ **CONTROL:** MANUAL

## Δ Structure of SONICBOOM BLASTER



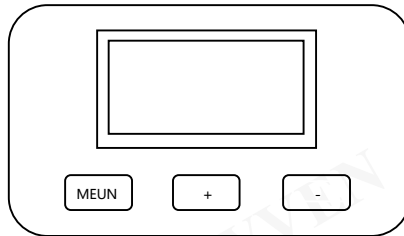
1. LED plate
2. Output Nozzle.
3. Fan Output
4. Strap Hook

5. Safety Switch
6. Battery
7. Firing Trigger
8. LCD Display

9. Power Switch
10. Fog Fluid Bottle

## Δ Operation Panel

1. Keypad area

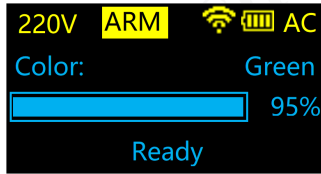


**MENU:** Press enter setting interface

**+** : Parameter up, it can change LED color in main interface

**-** : Parameter down, it can change LED color in main interface; press and hold enter monitor interface

## 2. Main Interface



### First Line:

1. 110V / 220V power input when heating up
2. ARM status, display ARM when machine armed.
3. Wireless icon appears when wireless function ON.
4. Battery Volume: >37.5V; 35V-37.5V; 32.5V-35V; 30V-32.5V; < 30V
5. Device heating up mode: DC is heating up by DC power, AC heating up by AC POWER.

### Second Line: LED light color

**Third Line:** Current Core Temp. and temp. progress bar

**Fourth Line:** BLASTER status (Ready/Heat On/Heat Off/Working) and alert / error message

## 3. Alert / Error information

Alert Message	Why it appears	How to remove
E1 FAN Motor Un	1. Fan not well connected 2. Main PCB signal output abnormal 3. Fan or fan driver damage	1. Check the fan terminal connection 2. Check main PCB 3. Check fan and fan driver. if can't solve please contact SHOWVEN.
E1 Fan Stall	1. Foreign objects block the fan 2. Fan driver abnormal	1. Restart BLASTER, and check the fan. 2. Check fan driver
E2 Temp.Sensor	1. Temp. sensor terminal connector loose or sensor damage 2. Main PCB abnormal	1. Check connection or replace a new sensor 2. Check main PCB
E3 PTemp.Over	1. Cooling fan not working 2. PCB over temp.	1. Check cooling fan 2. Power OFF BLASTER and let it cool down, if restart remains error please check main PCB
E5 KTemp.Over	Heating block over temp. 1. Heating up control abnormal 2. Temp. Sampling abnormal 3. Temp.Sensor terminal connection abnormal	Power OFF BLASTER and let it cool down, if still not work after restart, please check 1. Main PCB 2. Temp. Sensor wire connection
E6 Heat Fail	Heating fail: 1. Battery power supply too low 2. Heating power cable disconnect 3. Heating block abnormal 4. Control signal abnormal	1. Check battery volume 2. Check power cable 3. Replace heating block 4. Check main PCB
E8 Battery Error	Battery voltage error: 1. Battery low 2. Main PCB abnormal	1. Charge first, if not solve then need to change battery 2. Check main PCB

## 4. Main Menu

Parameters in main menu show in below table, press "+" / "-" to change the value.

Options	Range	Default	Explanation
---------	-------	---------	-------------

LED Color	OFF/RED/GREEN/BLUE/PINK/ PURPLE/ORANGE /YELLOW/SKY BLUE/WHITE/RAND	GREEN	LED color setting
LED Delay	0.0s-3.0s	2.0s	LED delay after smoke output stop
Manual Fan	ON/OFF	ON	ON: fan ON when firing. OFF: fan OFF when firing
Fan delay	0.1s-3.0s	2.0s	Fan delay after smoke output stop
Wireless Remote	ON/OFF	OFF	Wireless function setting, please also match machine with remote control in this interface

## 5. Advanced Menu

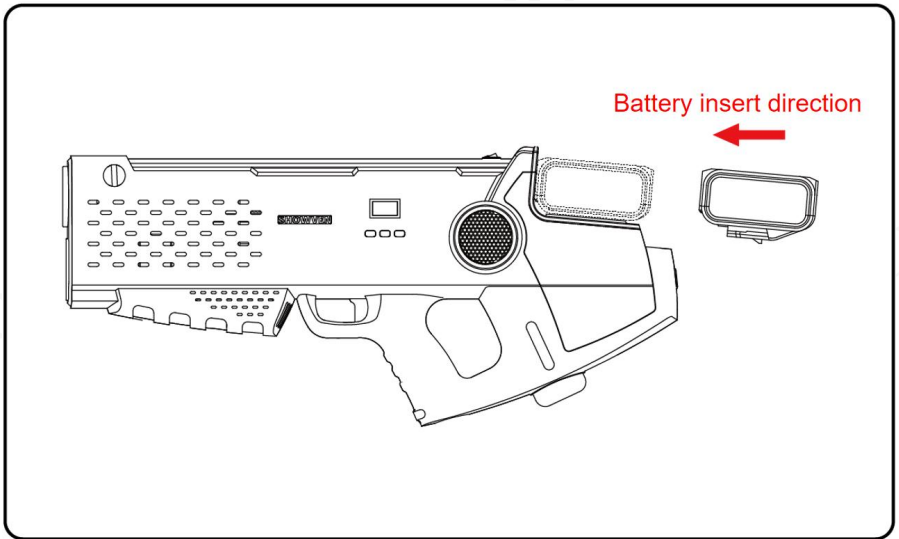
Press and hold "MENU" enter Advanced menu, press "MENU" switch to different items, press and hold "MENU" exit Advanced menu.

Options	Range	Default	Explanation
Temperature Set	220-330	300	Setting target pressure
Fan Test	ON / OFF	OFF	ON: fan working 2s
Pump Test	ON / OFF	OFF	ON: Pump working 2s
Auto Heat	ON / OFF	ON	ON: device heating up automatically when power ON
Fan Speed	6.4% - 7.7%	7.5%	Fan speed when firing
Language	中文/English	English	Language switch
Liquid LED	ON / OFF	ON	Liquid level LED ON/OFF setting
Default Parameter	ON/OFF	OFF	Parameters reset to default setting

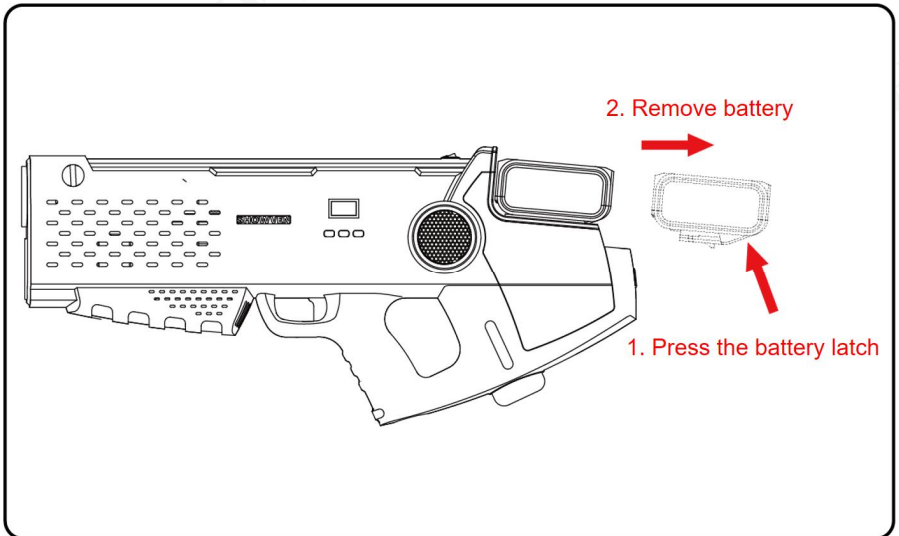
## Δ Operation Guide

### 1. Battery installation and removal

Insert the Makita 40V BL4040 4.0AH battery to SONICBOOM BLASTER as below:



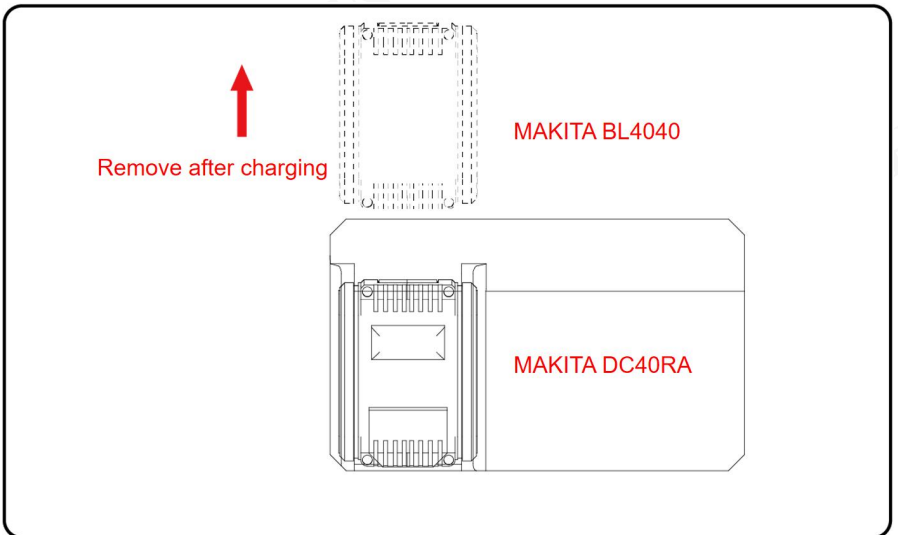
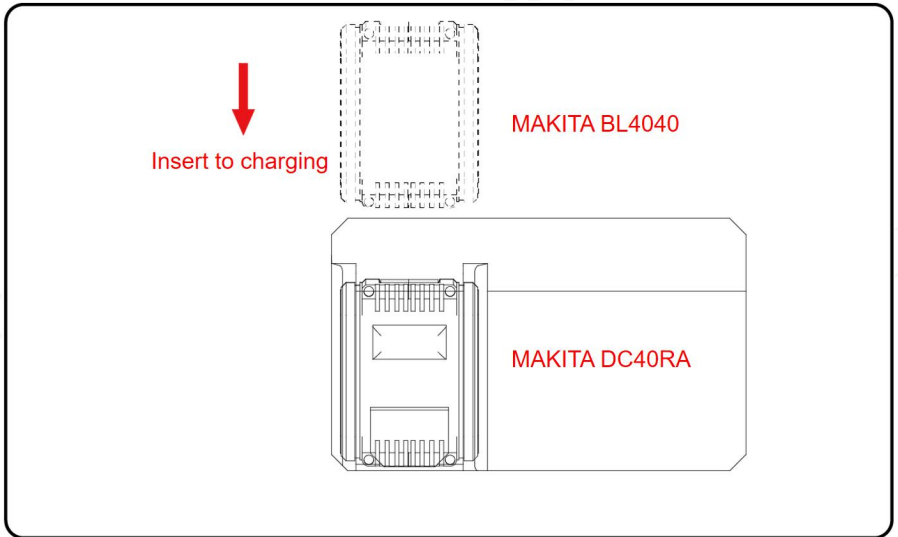
If need to remove battery, please press the battery latch and remove battery as show in below picture.



## 2. Charging for battery

Use MAKITA DC40RA charging for battery, please insert as below.

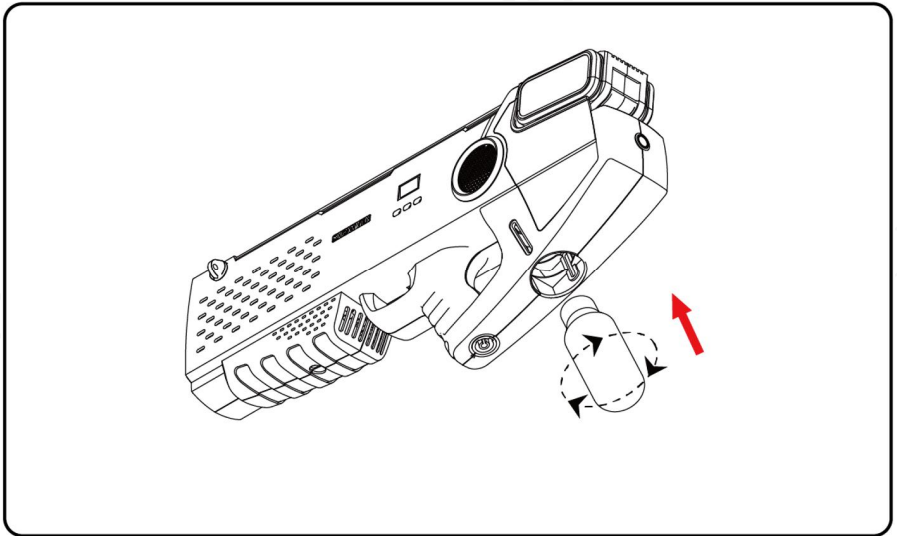
Please note you can not charging with SONICBOOM BLASTER directly.



**NOTICE:** Battery MAKITA BL4040 and charger DC40RA is not standard configuration and not included when you order SONICBOOM BLASTER. Please buy it locally. If need to order from us please contact your sales representative.

### 3. Fill SONICBOOM BLASTER

- Take out the FX-BLASTER, remove cap and screw it tight as show below.
- Only use FX-BLASTER fog fluid on SONICBOOM BLASTER.



#### 4. Heating up and Firing

- a) Connect with AC power through NEURTIK POWERCON TRUE1 connector, Power ON machine, it will heat up automatically. It will shows heating progress bar on the screen.
- b) Disconnect power cable. Switch ON the arm button.
- c) The operator should not firing towards people, animals, flammable objects or other objects.
- d) Press and hold the firing trigger, have fun!

**NOTICE:** Blower will keep working for few seconds after release the firing trigger.

**NOTICE:** Suggest to switch off the arm switch for SONICBOOM BLASTER after firing, switch on again when needed.

**NOTICE:** Always put SONICBOOM BLASTER on a stand whenever heating up or heated to make sure smooth heat dissipate .

**DANGER:** Never touch the output nozzle of SONICBOOM BLASTER. DANGER OF GET BURNT!

#### 5. Turn Off and clean up

- a) Empty the remaining fog fluid in fluid bottle.
- b) Firing SONICBOOM BLASTER few seconds to empty the remaining fog fluid in the pipe and heating block.
- c) Switch OFF the arm switch, power off SONICBOOM BLASTER, allow SONICBOOM BLASTER to cool down.
- d) Clean the machine and put it back to suitcase after it is fully cool down.
- e) Store machine at dry and ventilate area.

## Δ **Optional parts**

### 1. **BLASTER Stand**

Assemble the stand as shown below, raise one end of the “Y” holder to the highest position and the other “Y” holder end to the lowest position, so that the BLASTER is in a horizontal state when placed on it. Please always put BLASTER on stand whenever heating up or after use to keep it good heat dissipate.



### 2. **Other Optional Parts**

Part. No.	Description
RMMET967	SONICBOOM BLASTER suitcase 650*350*150mm
RMMET968	SONICBOOM BLASTER strap
SFCAB258	EU Power cable 3m
SFCAB051	US Power cable 3m
SFCHE198	FX-BLASTER FLUID box 150ml*10
SFCHE199	FX-BLASTER FLUID carton 12 boxes
RMEMD107	MAKITA 40V BL4040 4.0AH battery
RMEMD118	MAKITA DC40RA 40V battery charger

## Δ **Maintenance**

- Use SHOWVEN original fog fluid FX-BLASTER only
- Empty the fluid bottle before shipment of machine.
- Whenever storage or not use the machine for a period of time, please use distilled water to wash the pipe system and heating block by filling the fluid bottle with distilled water and firing the machine several times.
- Empty the fluid in pipe and heating block by firing machine few seconds.
- Running the machine at least once per month.

## Δ Warranty Instructions

- \ Sincere thanks for your choosing our products, you will receive quality service from us
- \ The product warranty period is one year. If there are any quality problems within 7 days after shipping out from our factory, we can exchange a brand new same model machine for you
- \ We will offer free of charge maintenance service for machines which with hardware malfunction (except for the instrument damage caused by human factors) in warranty period. Please don't repair machine without factory permission

### **Below situations NOT included in warranty service:**

- \ Damage caused by use other type of consumable which is not originally from SHOWVEN®.
- \ Damage caused by improper transportation, usage, management, and maintenance, or damage caused by human factors;
- \ Disassemble, modify or repair products without permission;
- \ Damage caused by external reasons (lightning strike, power supply etc.)
- \ Damage caused by improper installation or use;

For product damage not included in warranty range, we can provide paid service.

Invoice is necessary when applying for maintenance service from SHOWVEN®.

**SHOWVEN<sup>®</sup>**



**Showven Technologies Co., Ltd.**

Tel: +86-731-83833068

Web: [www.showven.cn](http://www.showven.cn) E-mail: [info@showven.cn](mailto:info@showven.cn)

Add: No.1 Tengda Road, Liuyang Economic & Technical Development Zone, Changsha, Hunan,  
410300, P.R.China