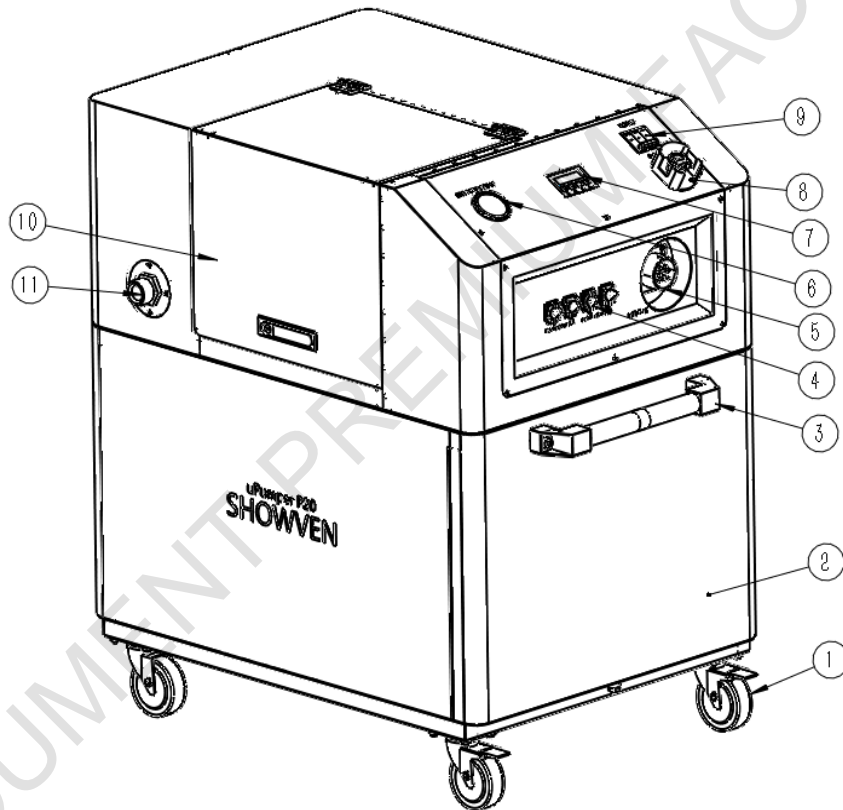


SHOWVEN FLAME SYSTEM

SHOWVEN HIGH FLAME SYSTEM is a hydraulic based 16-18m flame effect solution. It consist of flame head uFlamer X20, pump station uPumper P20H, accumulator module and accessories such as hoses, cables etc. It can easily achieve remote fuel supply with the pump station and no nitrogen tank needed. Any installation direction of flame heads brings endless design inspiration to event planners.

uPumper P20H

Structure



- | | | | |
|-----------------------|---------------|-----------------------------------|---|
| 1. Castor | 2. Fuel Tank | 3. Handle | 4. 3-pin and 5-pin XLR |
| 5. Power Input AC380V | 6. Manometer | 7. LCD screen and Operation Panel | |
| 8. Emergency STOP | 9. 3P Breaker | 10. Cover | 11. G 1 1/4 Quick Coupler for Fuel Outlet |

Features

- \ Reinforced 304 stainless steel housing
- \ Remote fuel and pressure supply
- \ Built in pump, no Nitrogen tank needed
- \ 250L extra large fuel tank

- \ Support 2 uFlamer X20 (3 if with accumulator module)
- \ Electronic digital fuel level display
- \ Configured with pressure monitoring
- \ Intelligent solenoid valve block design ensure system pressure under control

Specifications

Dimension

1100 x 700 x 1095 mm

Net Weight

285 kg

Housing material

304 stainless steel

Input

AC380V

Work power

8KW

Tank capacity

250L

Pump output

110L/min

Max. supported uFlamer X20

2 (3 if with accumulator module)

Control.

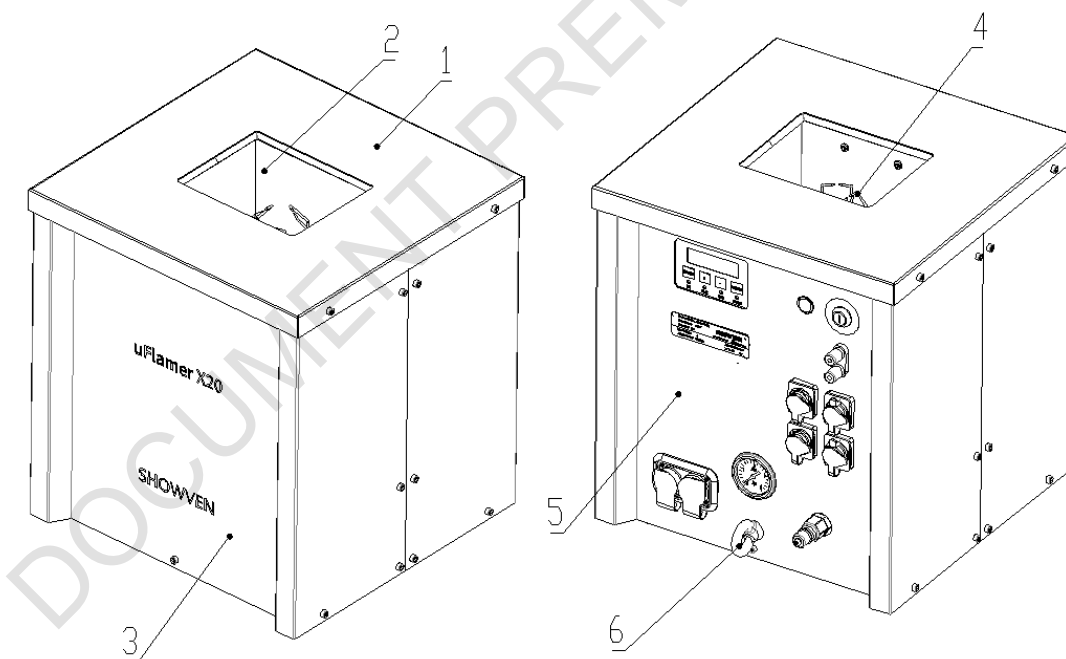
DMX

Support Fuel

ISOPAR

uFlamer X20

Structure



1. Top panel

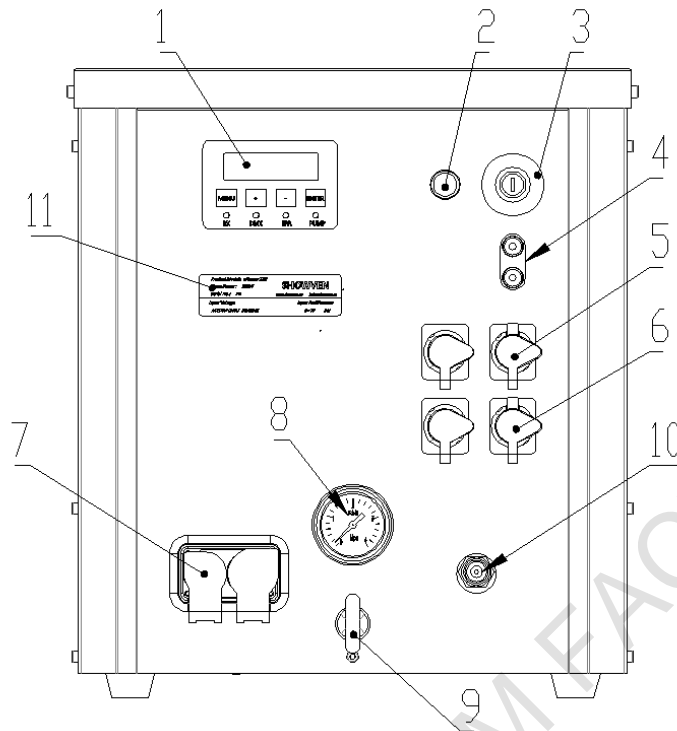
2. Nozzle box

3. Front panel

4. Igniter (triple)

5. Rear panel

6. Safety loop



- | | | |
|--|---------------------|---------------------|
| 1. LCD Screen | 2. Indicator light | 3. Safety switch |
| 4. 9-60V pyro signal port (reserved) | 5. 3-pin XLR IN/OUT | 6. 5-pin XLR IN/OUT |
| 7. Power IN (AC 110V) | 8. Pressure gauge | 9. Safety loop M8 |
| 10. FUEL IN quick coupler (ISO7241B G1/4 male) | | 11. Label |

Features

- \ 16-18m flame effect
- \ Triple igniter ensure successful ignition
- \ DMX control

Specifications

Dimension

330 x 330 x 320 mm

Net Weight

18 kg

Housing material

Stainless steel

Input

220V, 110V customizable

Work power

100W

Flame height

Up to 16-18m

Fuel

ISOPAR

Fuel consumption

1000ml/s

Ignition

Triple, high voltage electron ignition

Control

DMX

Quick Couplers

ISO7241B G1/4 male

Installation angles

Any direction even upside down

Accumulator module

Technical Specifications

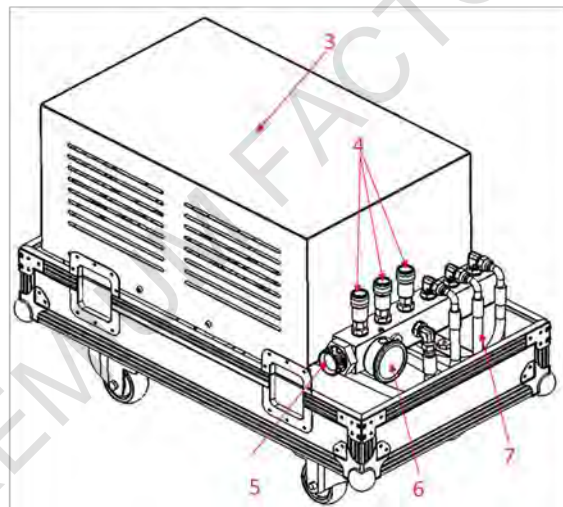
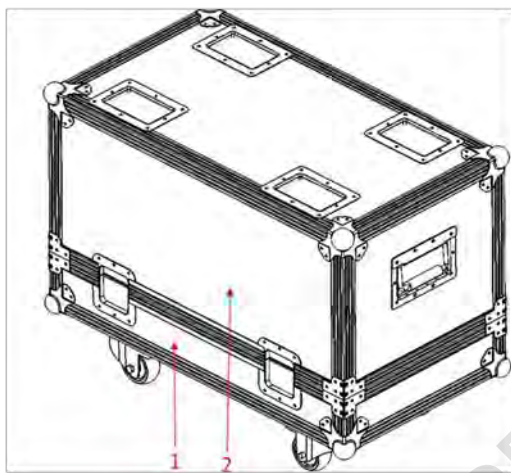
Dimension: 800×480×560mm

Weight: 64kg

Charge Pressure: 3MPa

Maximum Working Pressure: 10MPa

Structure



1. Accumulator module flight case bottom plate
2. Accumulator module flight case top plate
3. Inner accumulator cover
4. Output quick coupler (ISO7241B G1/4 quick coupler female, connect with uFlamer x20)
5. Fuel input connector (Screw thread G1¼, connect with uPumper P20H)
6. Pressure gauge
7. Accumulator module inner pipe

Other Accessories

Hose

High pressure steel wire braided rubber hose.

Main hose is used to connect between uPumper P20H to fuel dispenser.

Branch Hose is used to connect between fuel dispenser to uFlamer X20.



Main Hose 1 1/4 DN32



Branch Hose 3/8 DN10

Fuel Dispenser

Fuel distribution between pump station and flame heads.



T-shape dispenser T 1 1/4-1 1/4-1 1/4



T-shape dispenser T 1 1/4-3/8-1 1/4



Fuel dispenser 1 TO 6